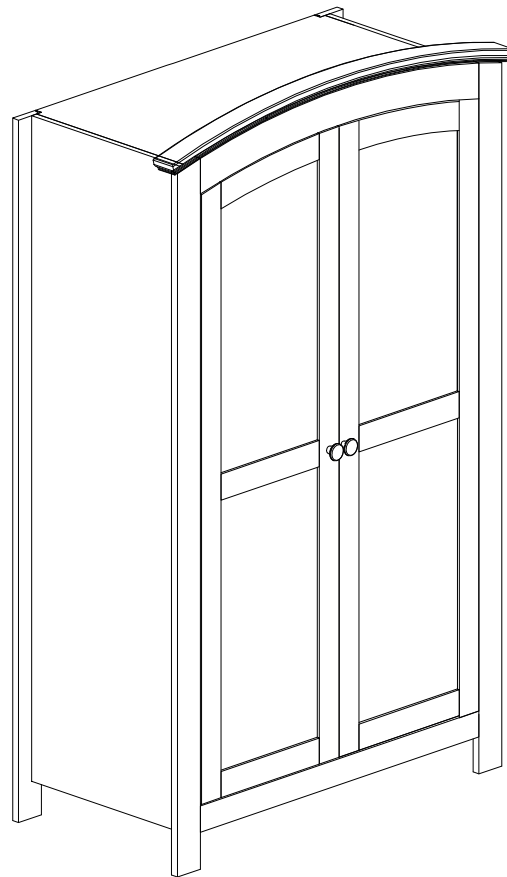


Silver Cross®

THE BEST START IN LIFE

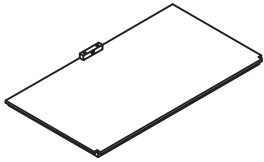
Ashby Wardrobe
Assembly Instructions



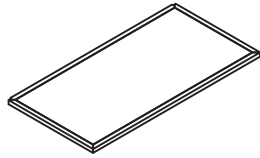
**IMPORTANT: THE ASSEMBLY OF THIS
PRODUCT REQUIRES TWO PEOPLE**

**IMPORTANT: KEEP THESE INSTRUCTIONS
FOR FUTURE REFERENCE**

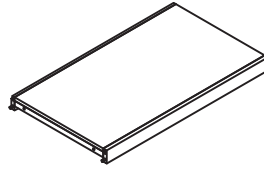
Parts list:



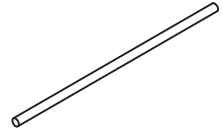
1 x **A**



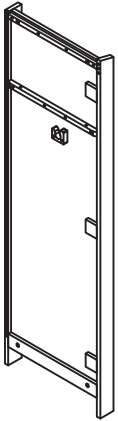
1 x **B**



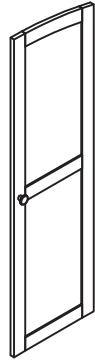
1 x **C**



1 x **K**



2 x **D**
(L&R)



2 x **E**
(L&R)



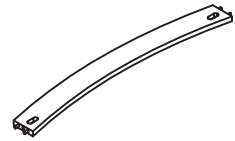
2 x **F**
(L&R)



1 x **G**

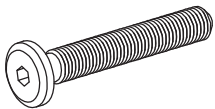


1 x **I**

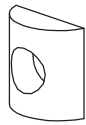


1 x **H**

Fittings list:



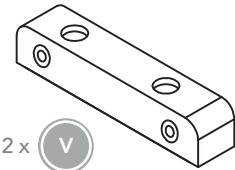
2 x **Z**
(M6X40)



2 x **N**



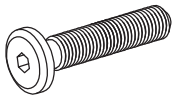
4 x **S**
(M4X20)



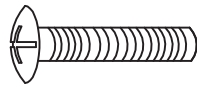
2 x **V**

1 x PVC bag

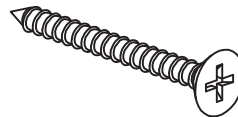
1 x PVC bag



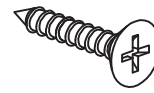
13 x **L**
(M6X35)



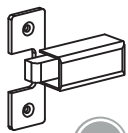
2 x **M**



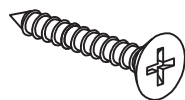
5 x **O**
(M4X30)



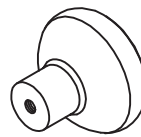
22 x **R**
(M4X15)



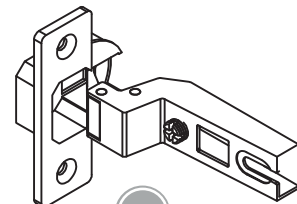
4 x **P1**



8 x **W**
(M4X20)

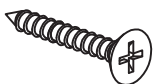


2 x **Q**



6 x **P**

1 x PVC bag



1 x **W**
(M4X20)



1 x **U**



1 x **Y**

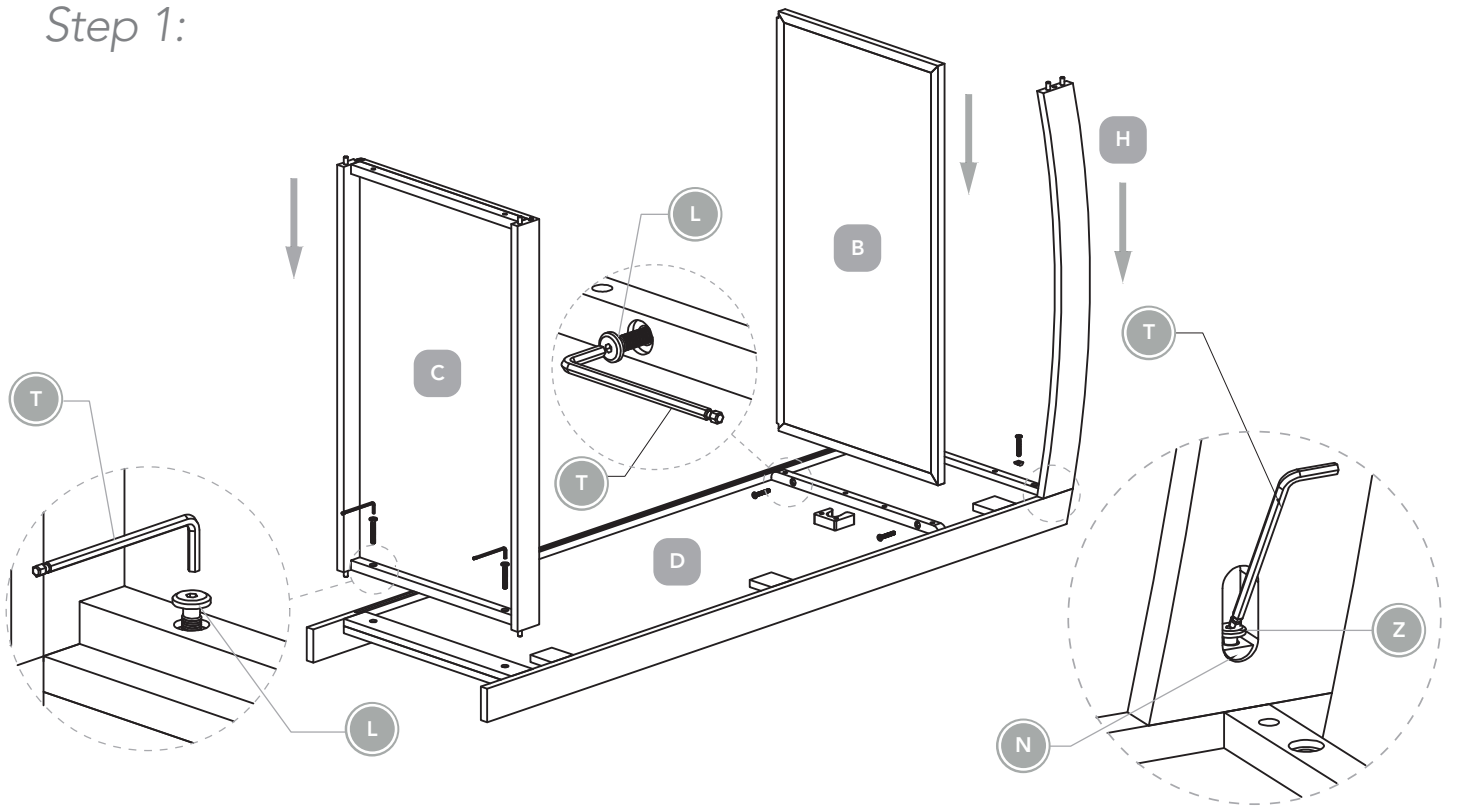
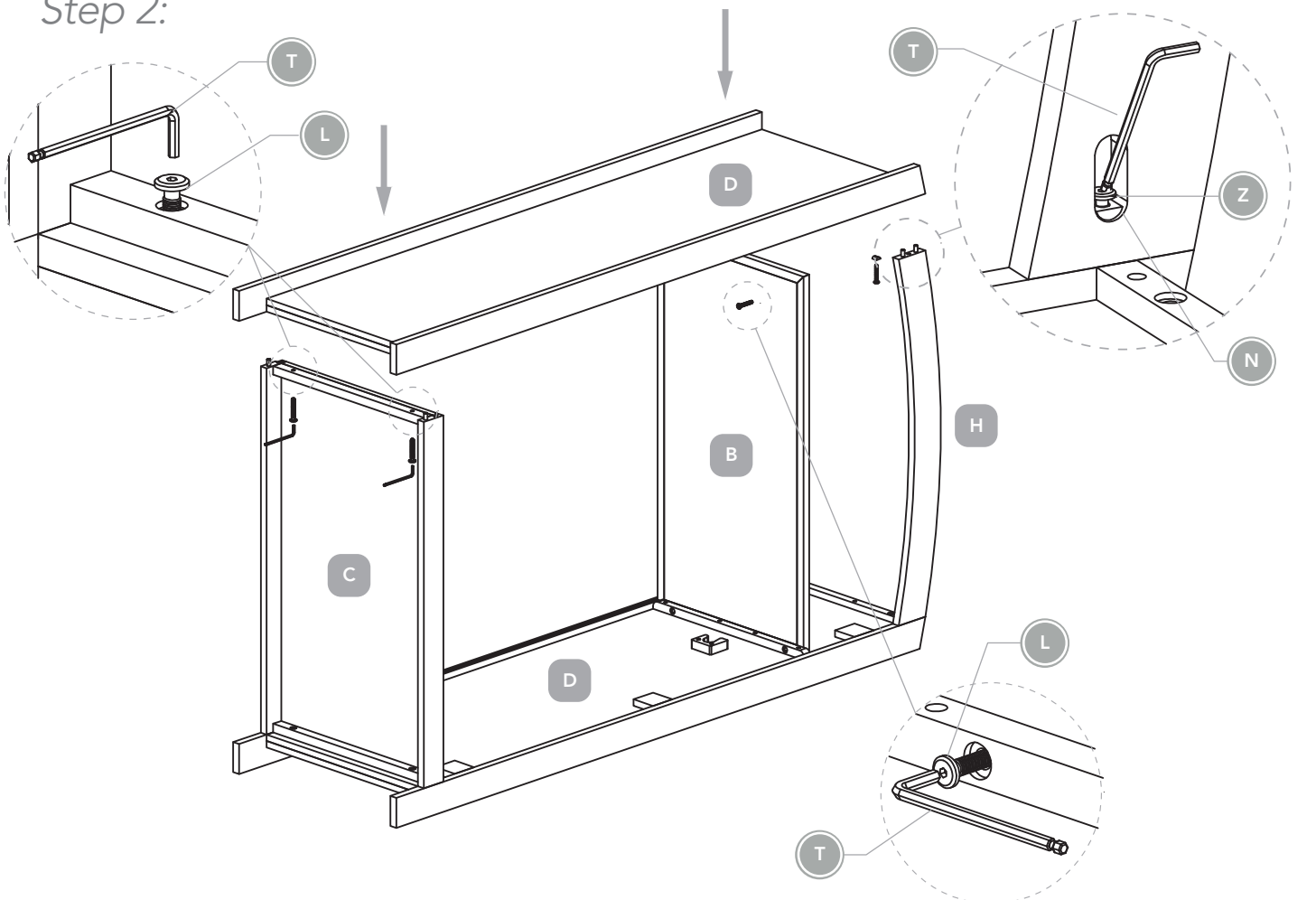
1 x PVC bag



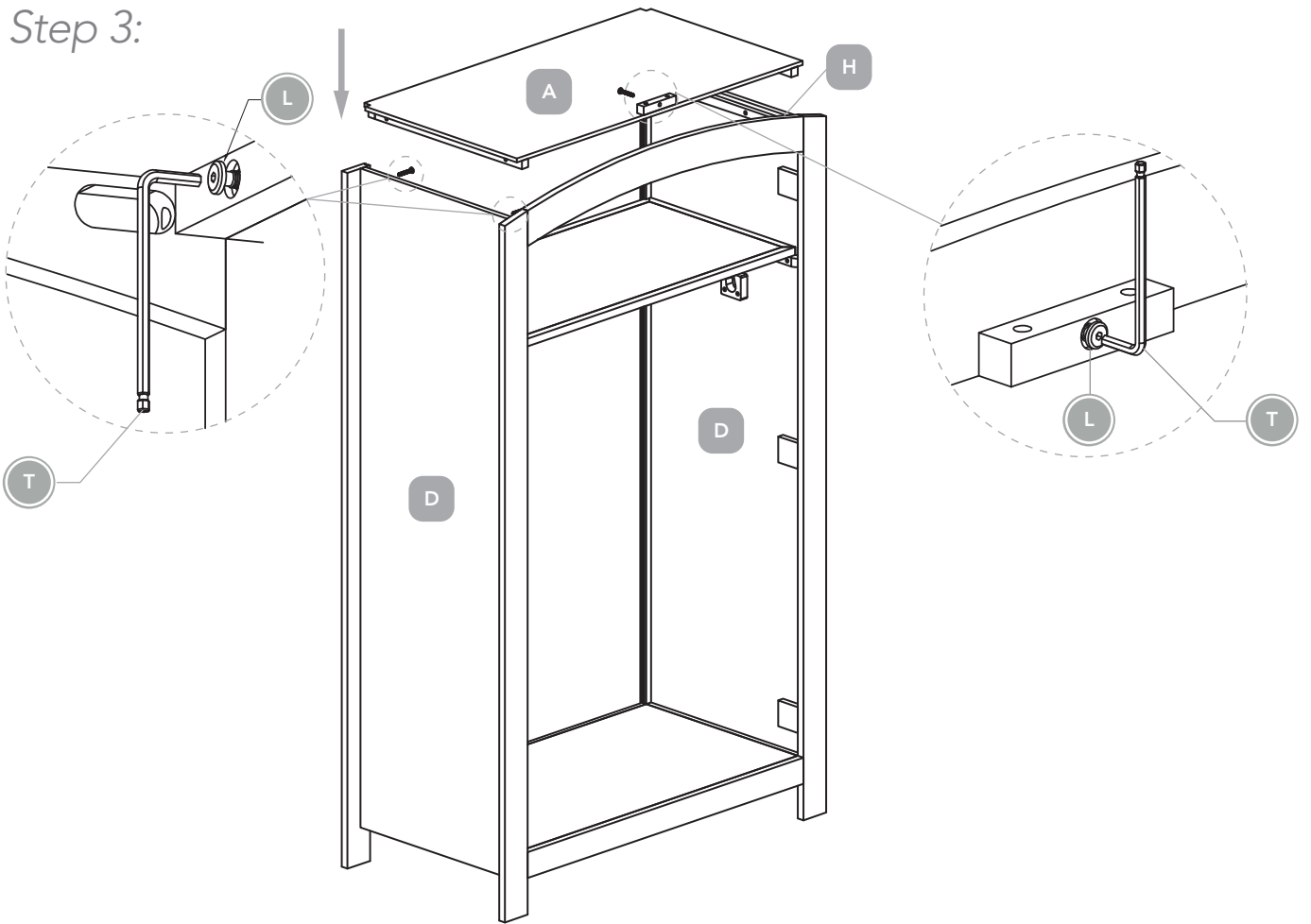
1 x **T**



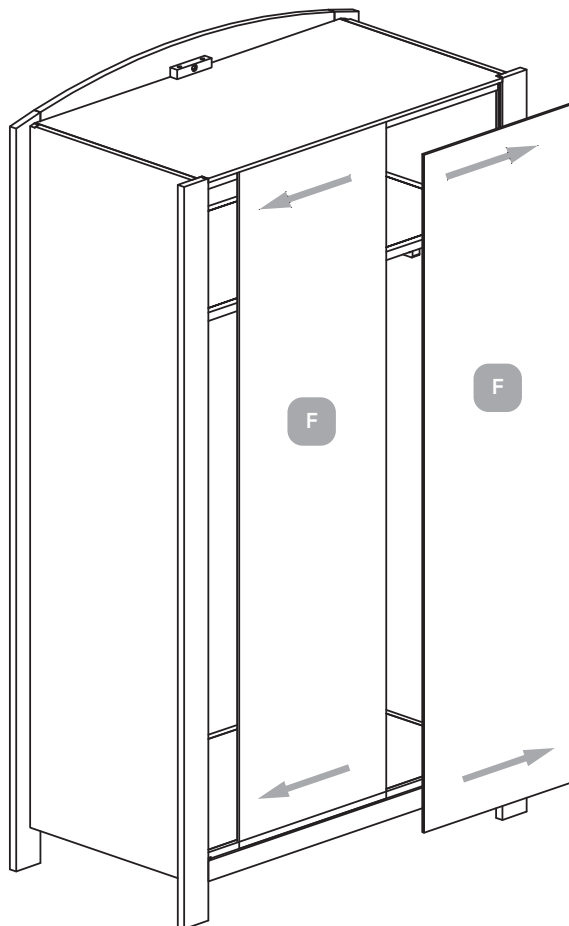
1 x **X**

Step 1:*Step 2:*

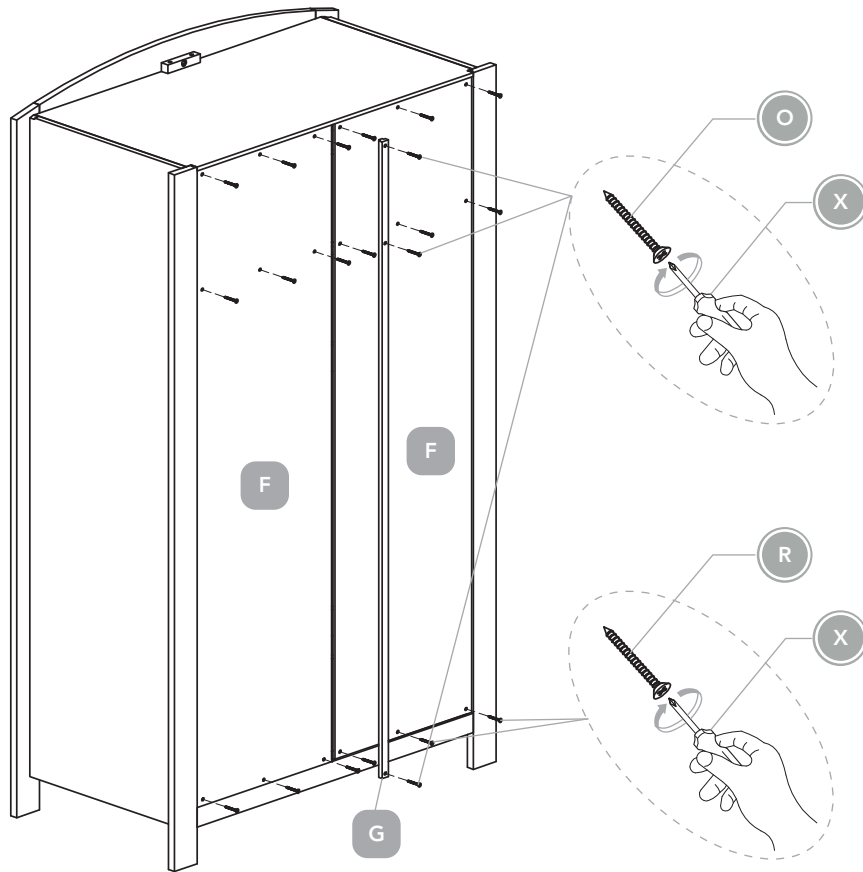
Step 3:



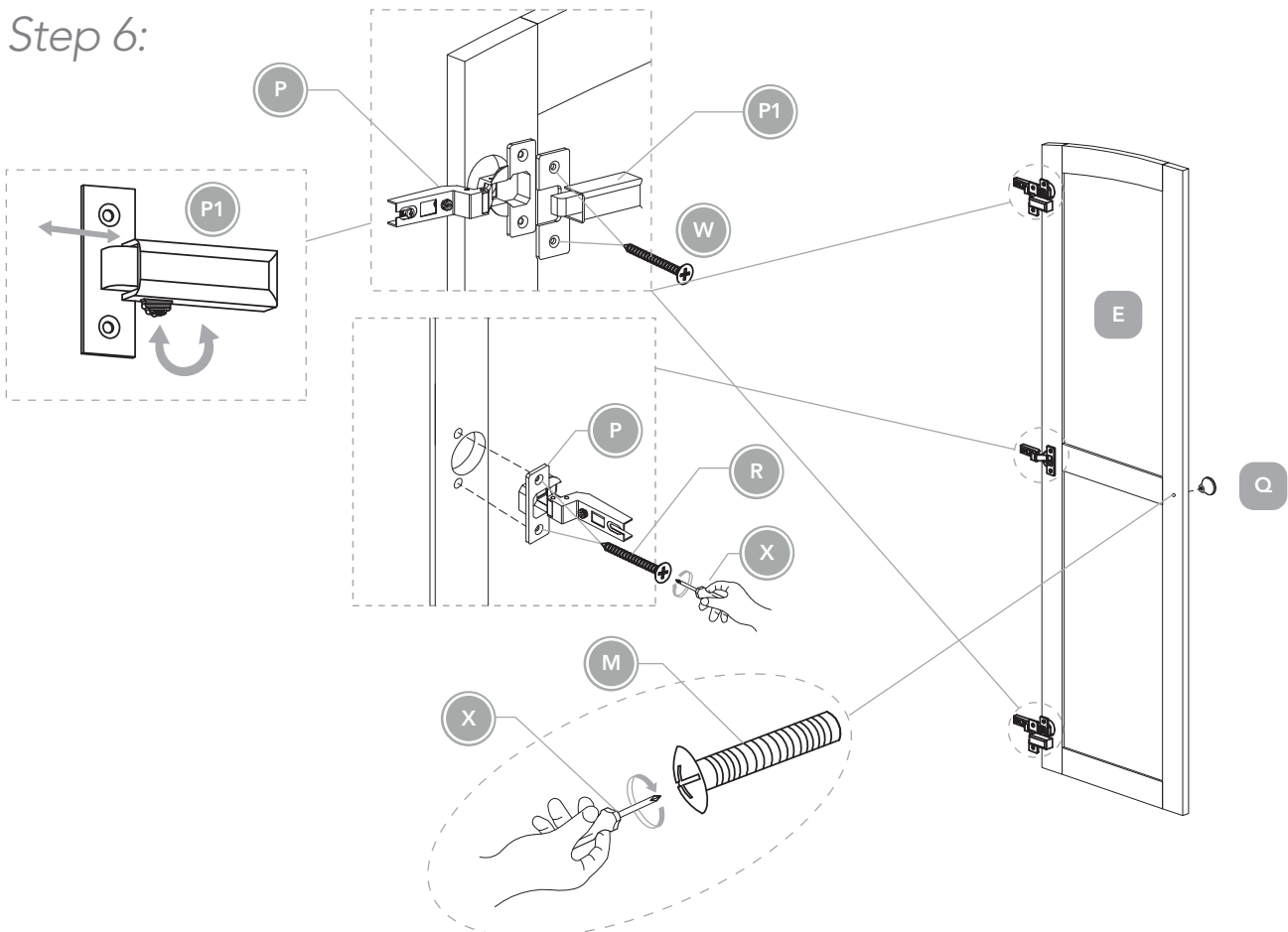
Step 4:



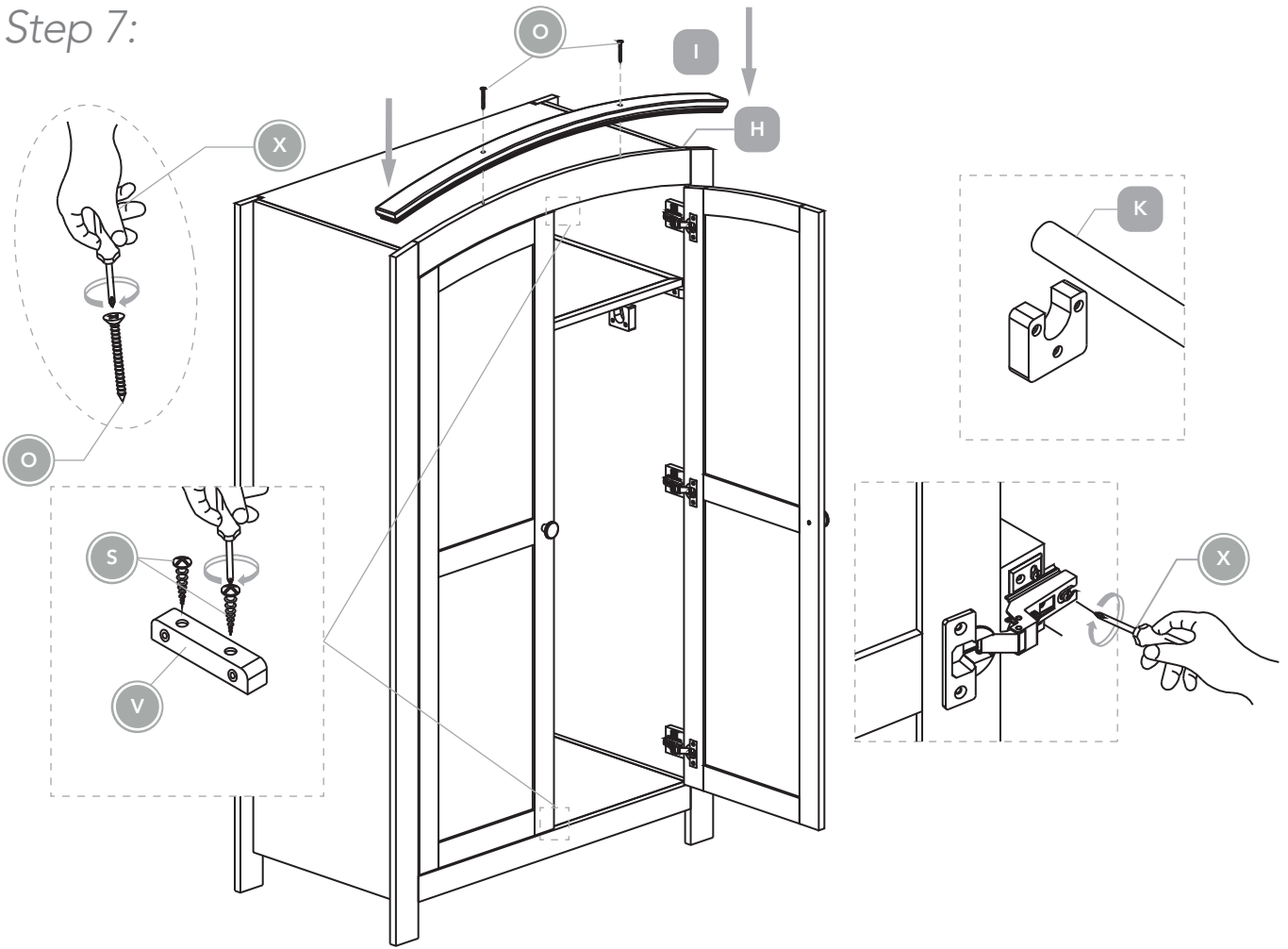
Step 5:



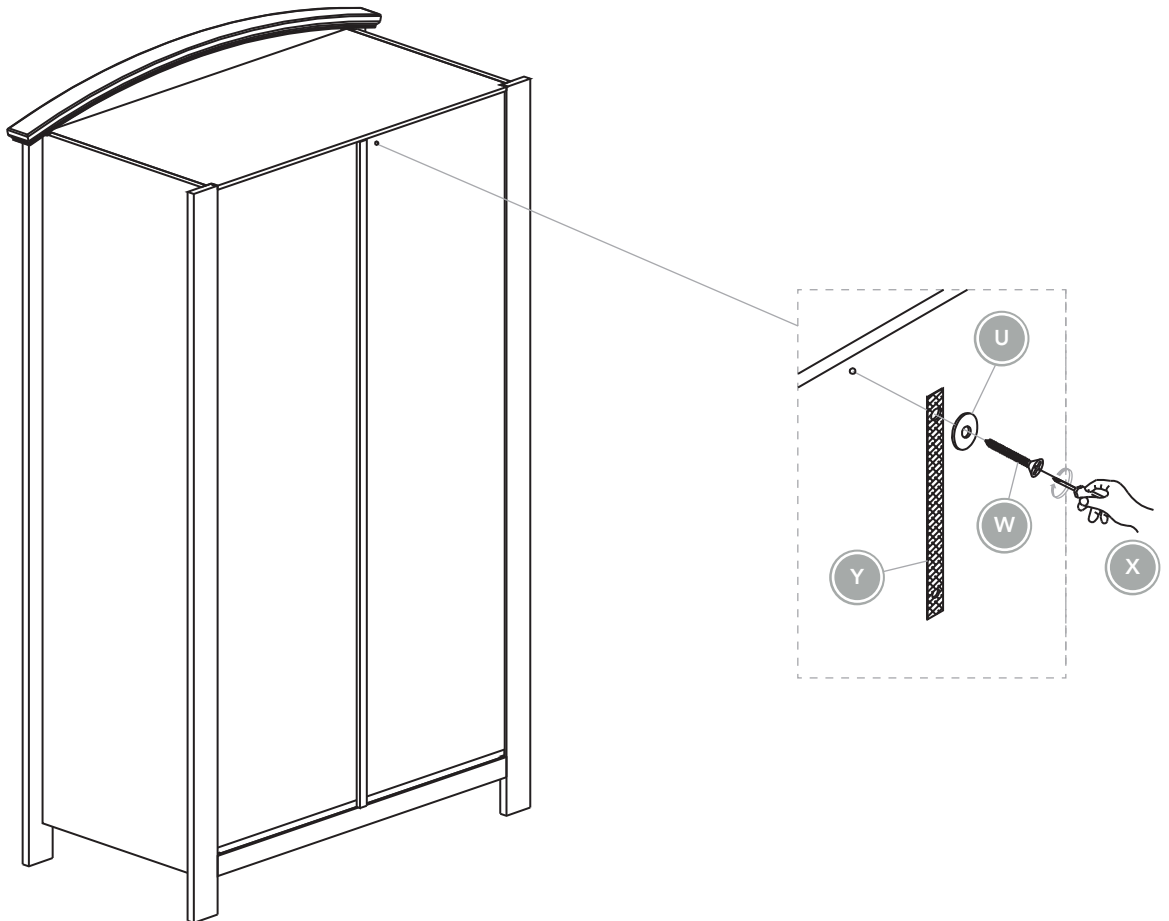
Step 6:

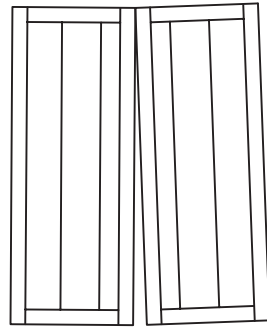
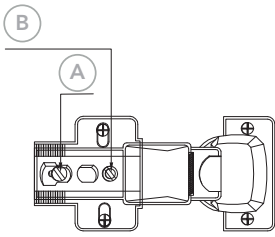


Step 7:



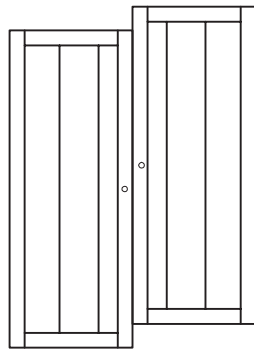
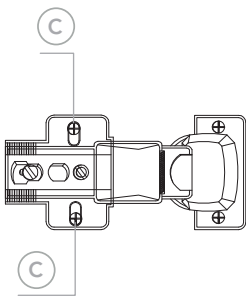
Step 8:





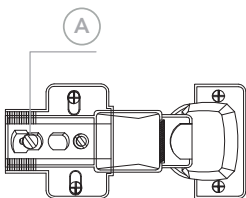
Adjusting the gap between the doors

Loosen screw "A", turn screw "B" clockwise or anti-clockwise until the gap between doors is equal then tighten screw "A".



Adjusting the height of the doors

Loosen screws "C" then slide the hinge plate up or down until the doors are even, then tighten the screws.



Adjusting the angle the door

Loosen screw "A" and slide the hinge arm either forwards or backwards until the door is even vertical then tighten screw "A".

Warnings & Instructions

For Safe Use & Maintenance

WARNING

NEVER LEAVE YOUR CHILD UNATTENDED.
The safety of your child is your responsibility.

Regularly check all fittings and components are fully tightened and in good working order. If any parts have become worn or damaged then do not use the product and seek advice from your retailer or Silver Cross. Only use spare parts supplied by Silver Cross.

Be aware of the risk of open fire and other sources of strong heat, such as electric bar fires, gas fires etc. in the near vicinity of the wardrobe.

Never use the wardrobe if any parts are broken or missing.

Never drag or pivot the wardrobe. It must be lifted and moved by at least two people.

Before use, ensure the wardrobe is on a level, stable surface.

Do not allow children to climb on the wardrobe.

The wardrobe can be cleaned with a damp cloth. Never use bleach, abrasive or strong detergents.

Thoroughly dry immediately after cleaning.

WALL STRAP INFORMATION

Never modify or change the wall strap in any way. Never use any other fittings other than those supplied to attach the wall strap to the wardrobe.

The wall strap provided is to be used with this product only.

Never use the screw provided to attach the strap to the wall. All walls are of different composition and it is important that the correct wall fittings are used. Consult a professional before attempting to attach the strap to the wall. No wall fittings are supplied with this product.

The wall strap must not be used to replace any other fittings supplied with this piece of furniture.

We recommend the wall strap is used in all cases. To improve the stability of the furniture an even wood or tiled floor is best. A carpeted or warped floor can enable the furniture to rock, increasing the potential of the furniture to fall over.

The logo for Silver Cross, featuring the brand name in a stylized, cursive font.

THE BEST START IN LIFE

Silver Cross (UK) Ltd, Micklethorn, Broughton, Skipton, North Yorkshire, BD23 3JA

silvercrossbaby.com
