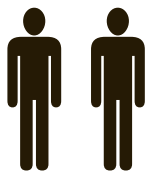
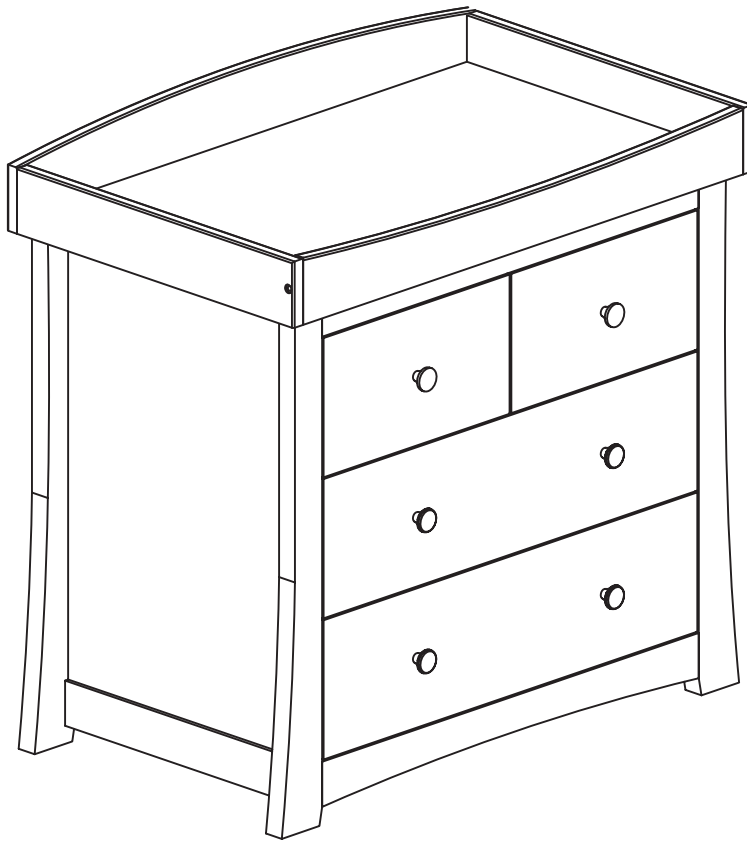


Silver Cross[®]

Canterbury Dresser

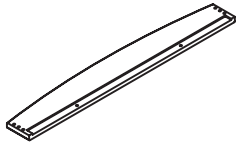
Assembly Instructions



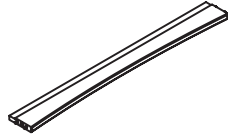
IMPORTANT:
THE ASSEMBLY OF THIS PRODUCT
REQUIRES TWO PEOPLE

IMPORTANT, RETAIN FOR FUTURE REFERENCE: READ CAREFULLY

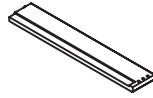
Parts List:



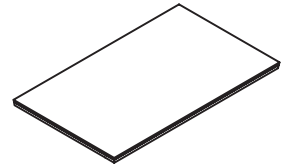
A = 1pc



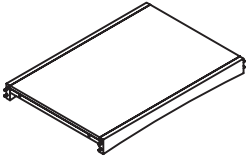
B = 1pc



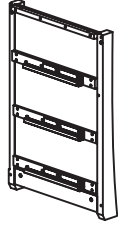
C = 2pcs (L & R)



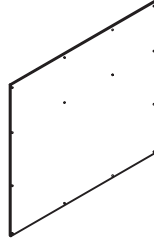
D = 1pc



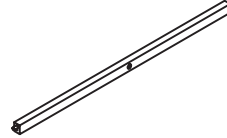
E = 1pc



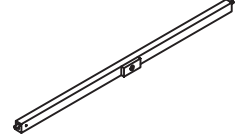
F = 2pcs (L&R)



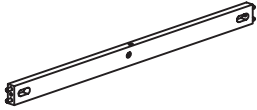
G = 1pc



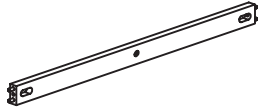
H = 1pc (F)



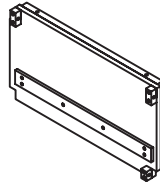
H1 = 1pc (R)



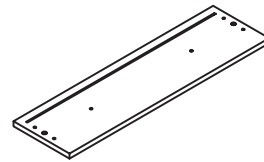
I = 1pc (F)



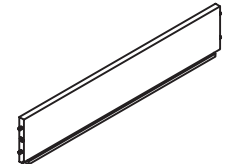
I1 = 1pc (R)



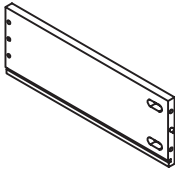
K = 1pc



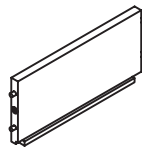
U = 2pcs



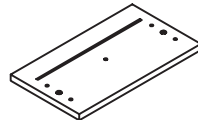
U1 = 2pcs



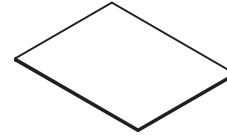
U2 = 8pcs(L&R)



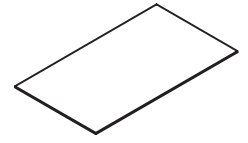
U3 = 2pcs



U4 = 2pcs

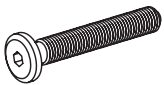


U5 = 2pcs

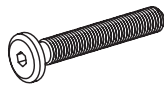


U6 = 2pcs

Fittings List:



L(M6X35) = 43pcs

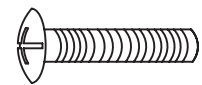


M(M6X40) = 4pcs

1 x PVC Bag



N = 6pcs



P = 6pcs

O(M4X20) = 1pc



S = 1pc



Y = 1pc



1 x PVC Bag



Q(M4X15) = 14pcs



Z = 20pcs

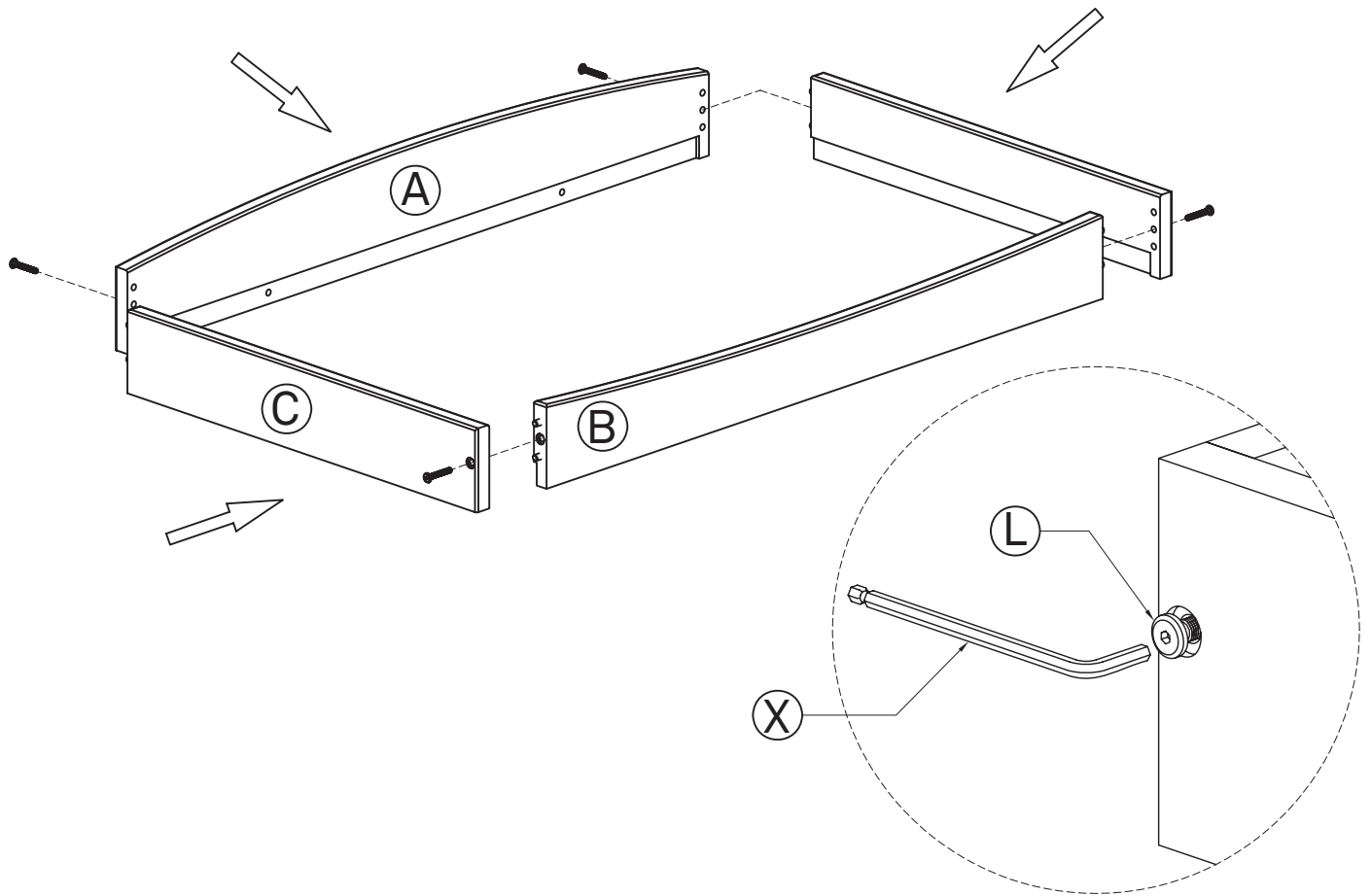


X = 1pc

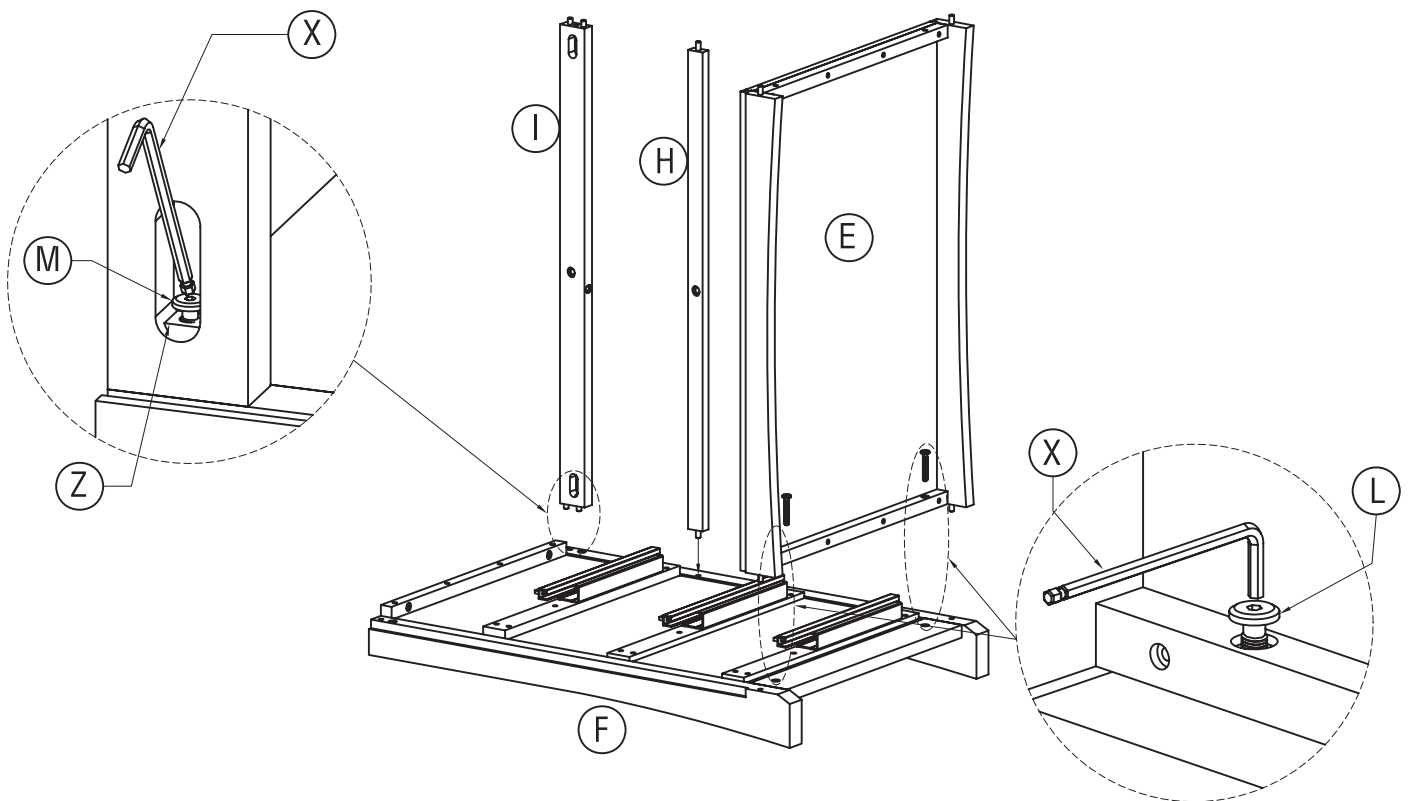


W = 1pc

Step 1:

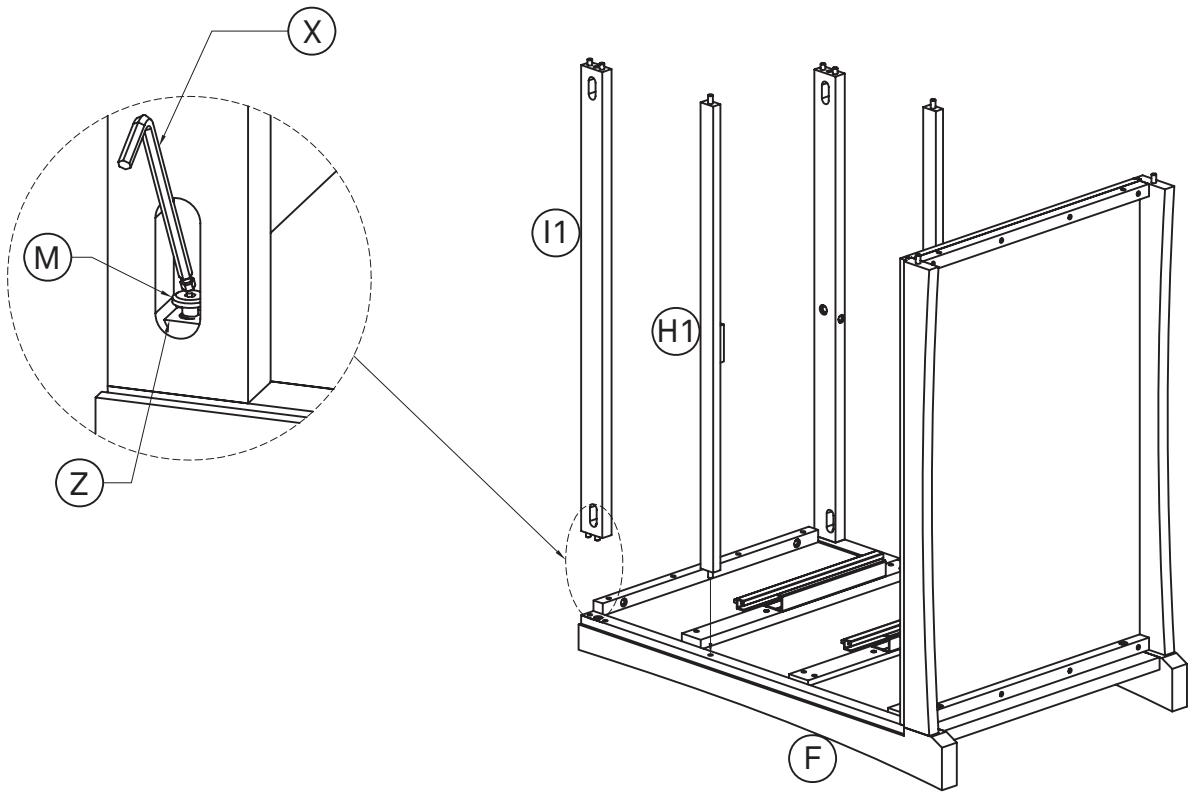


Step 2:

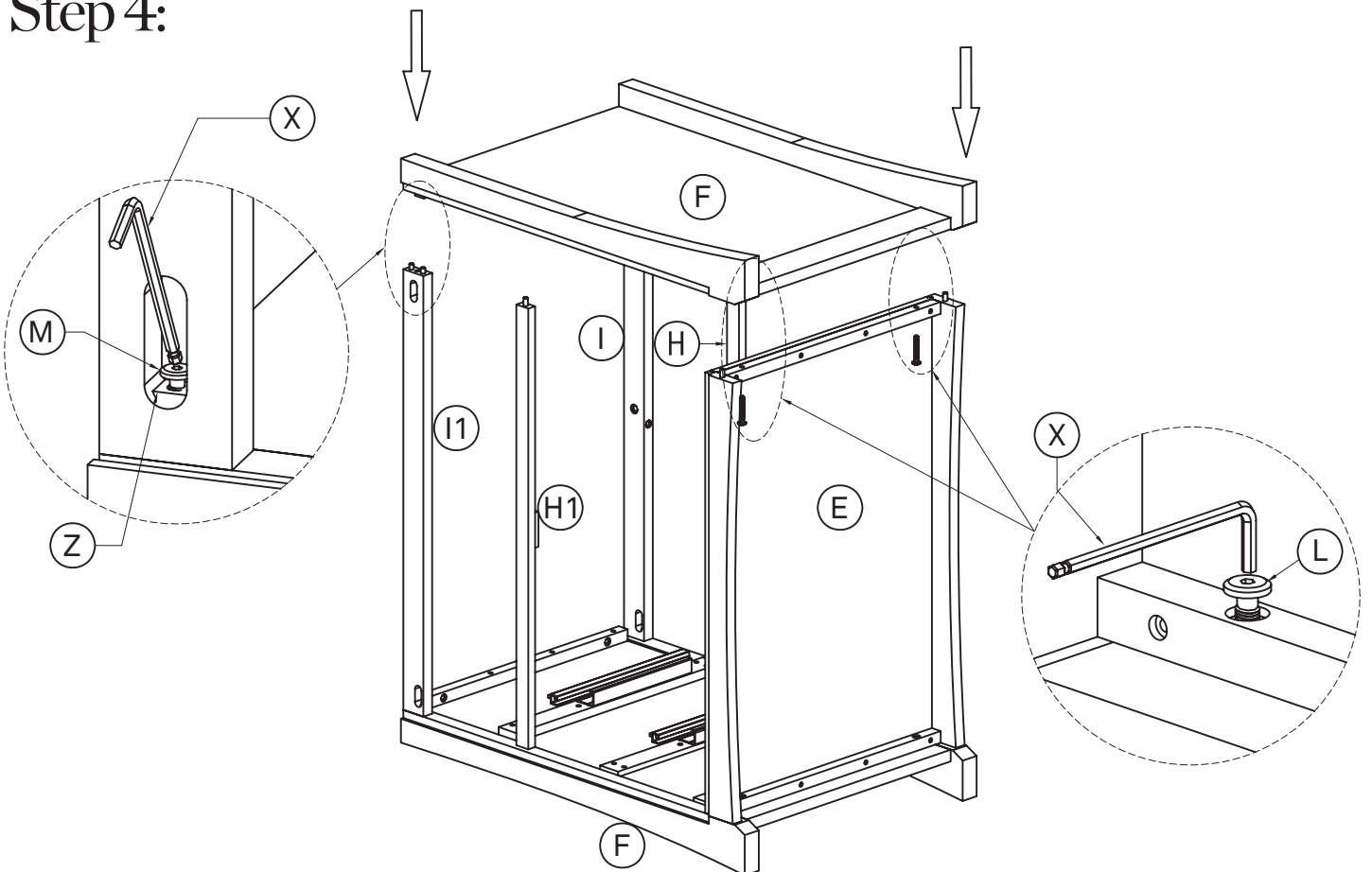


Rebate on part E and F to the back of the unit

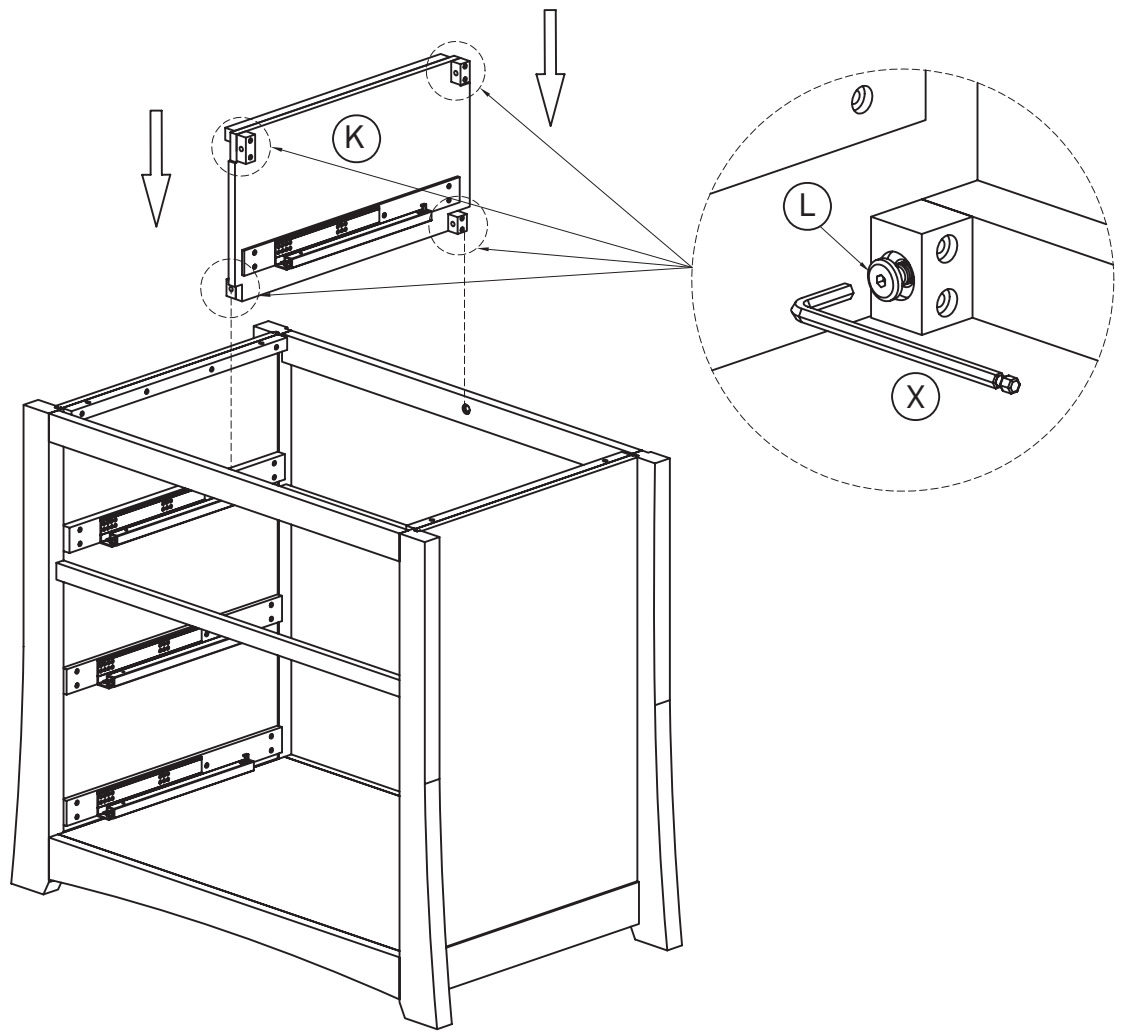
Step 3:



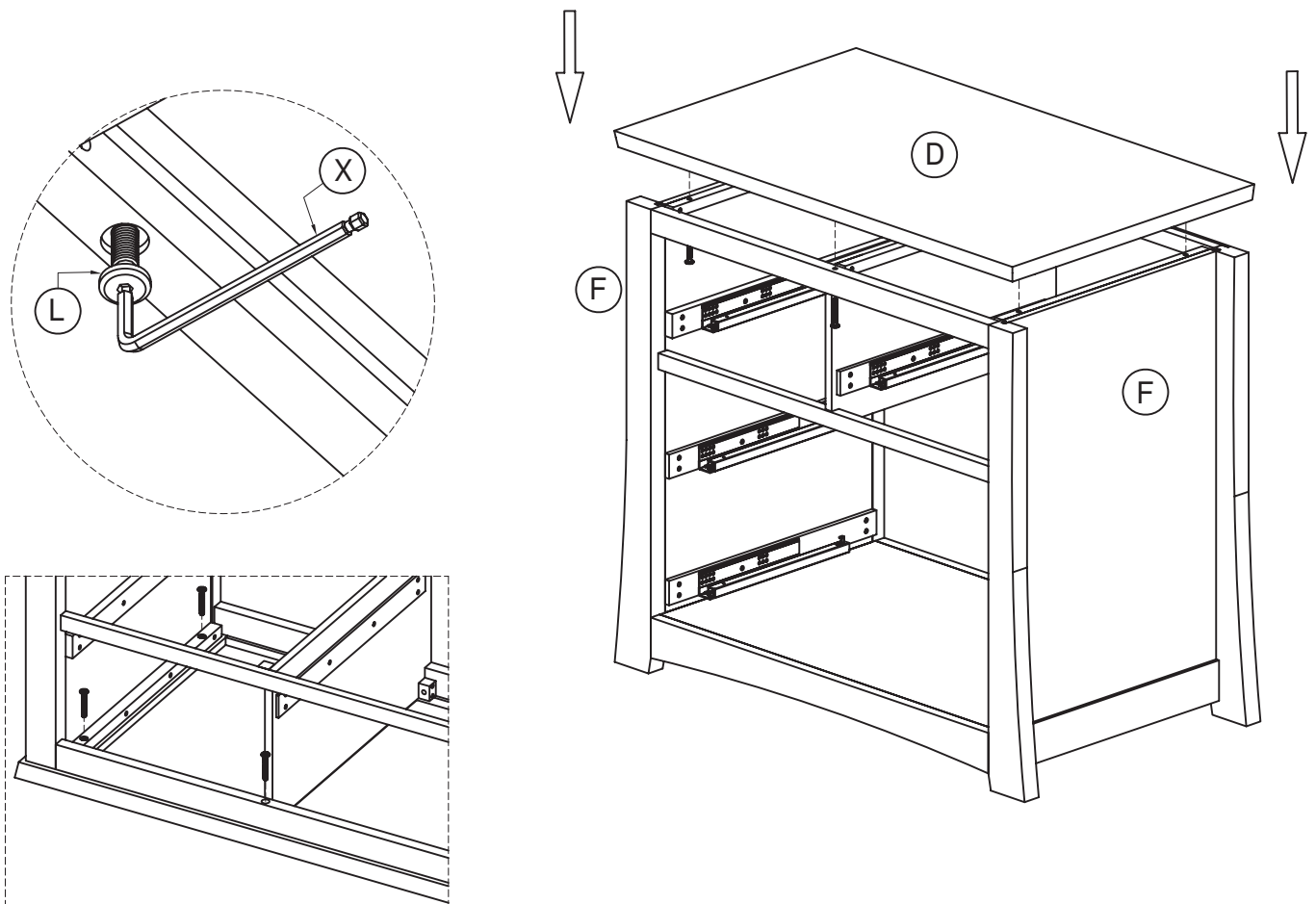
Step 4:



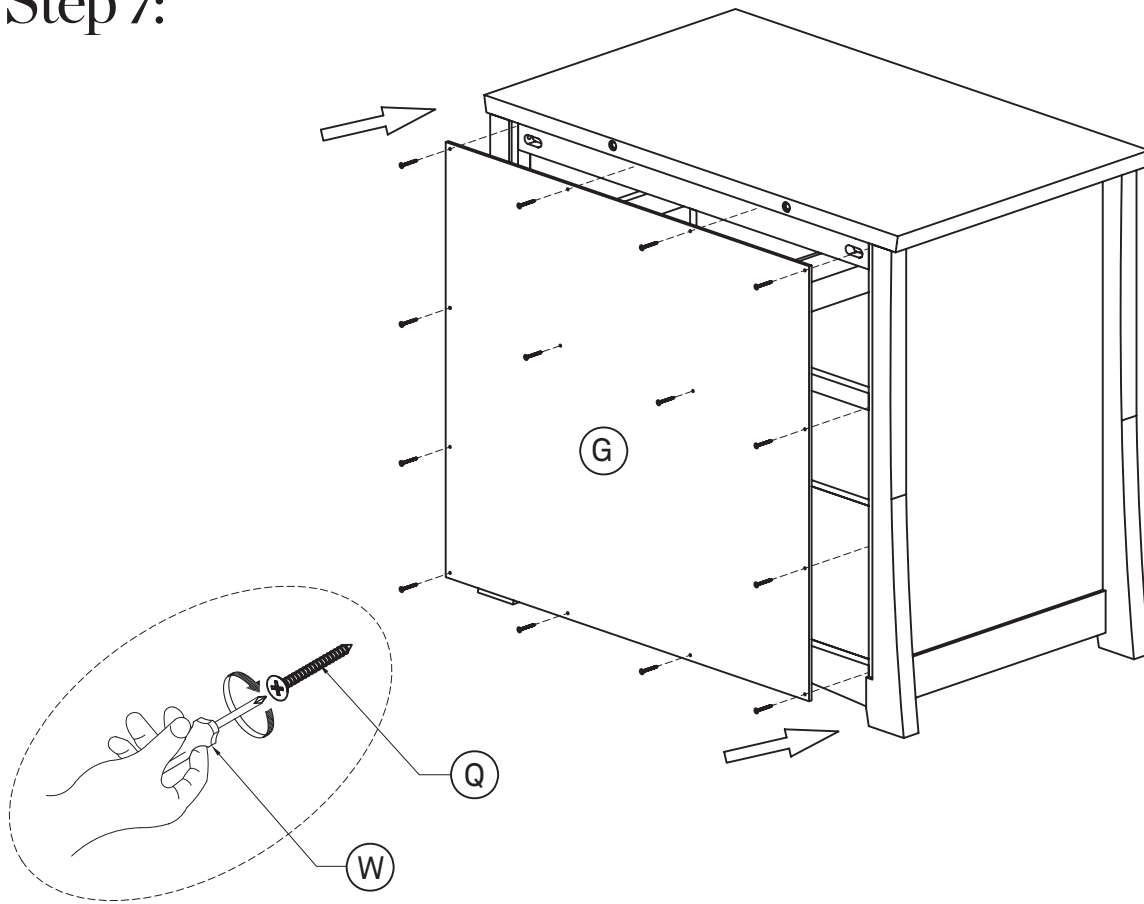
Step 5:



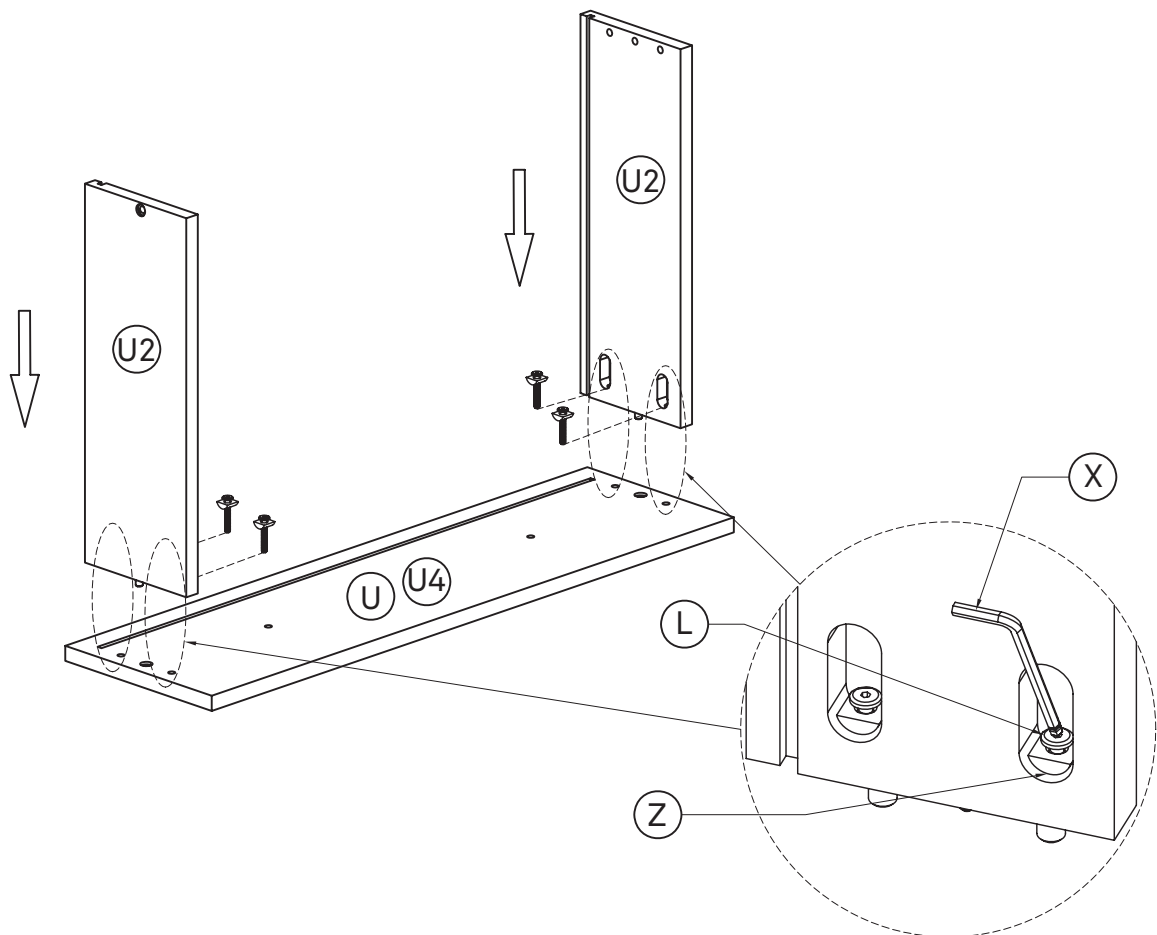
Step 6:



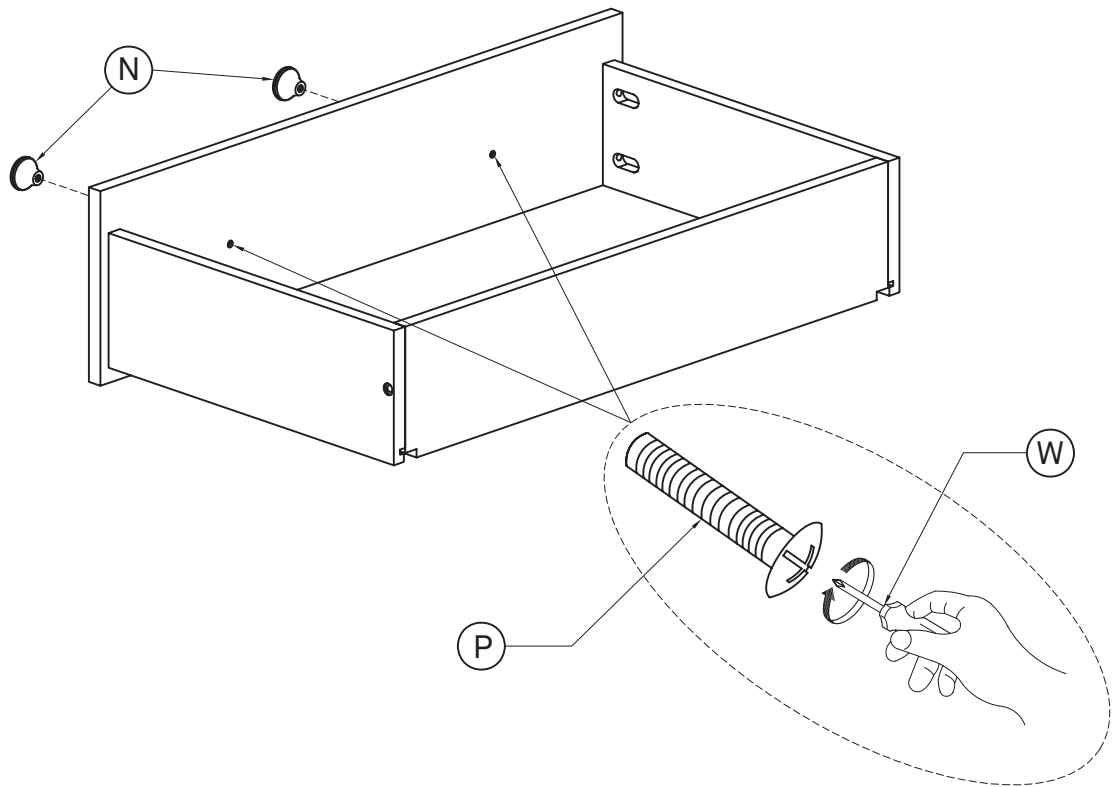
Step 7:



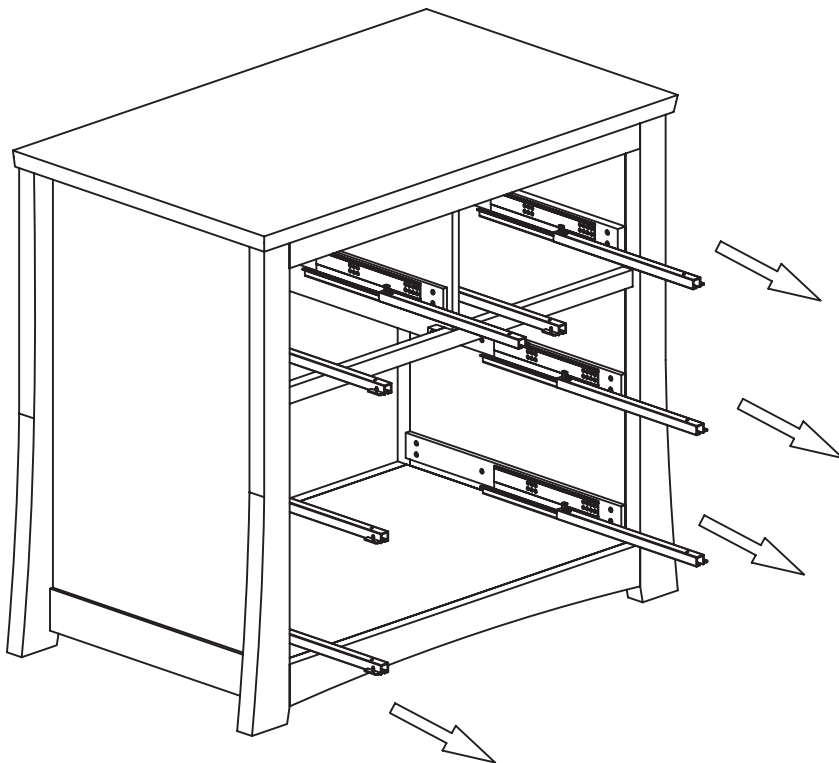
Step 8:



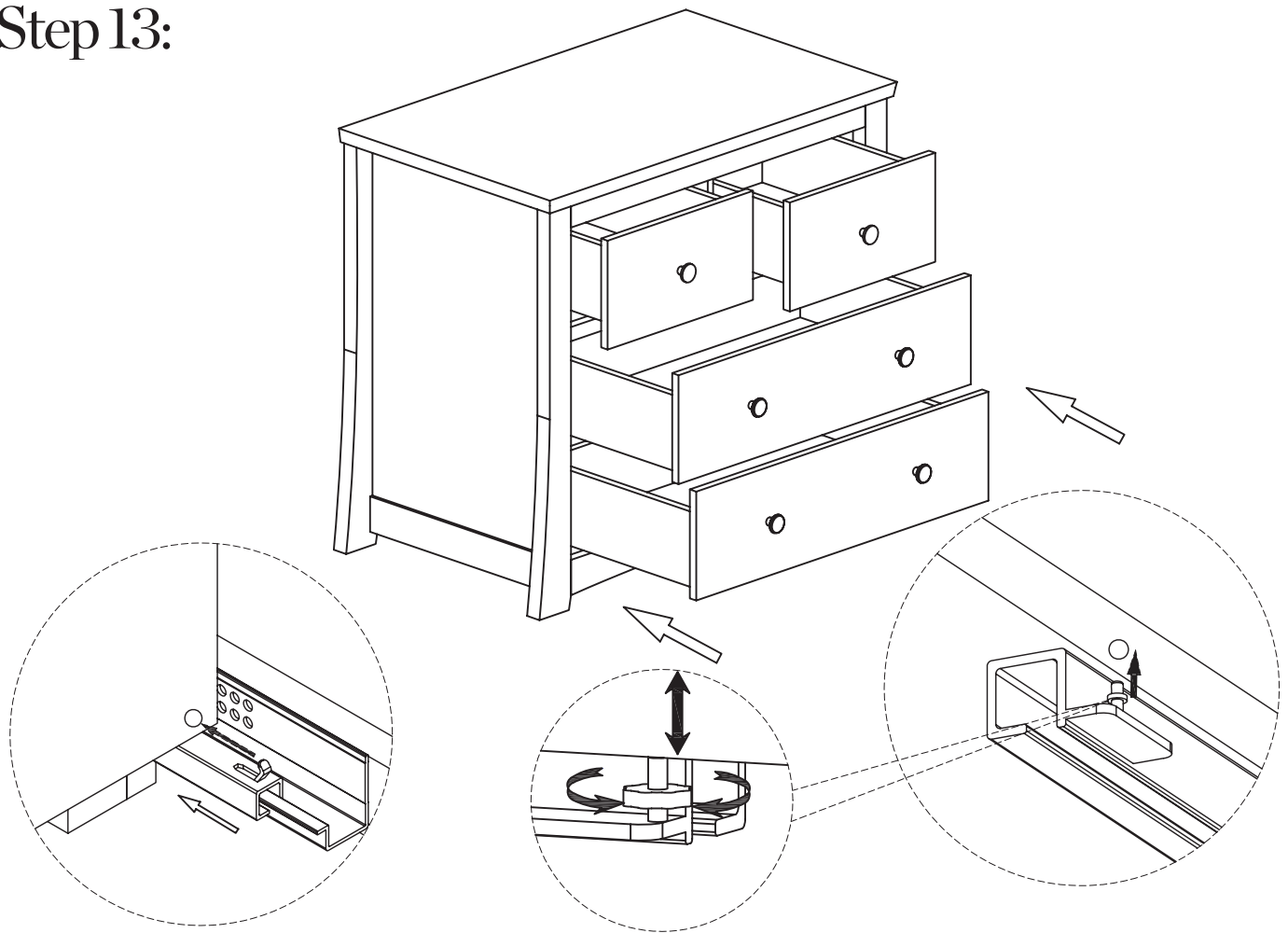
Step 11:



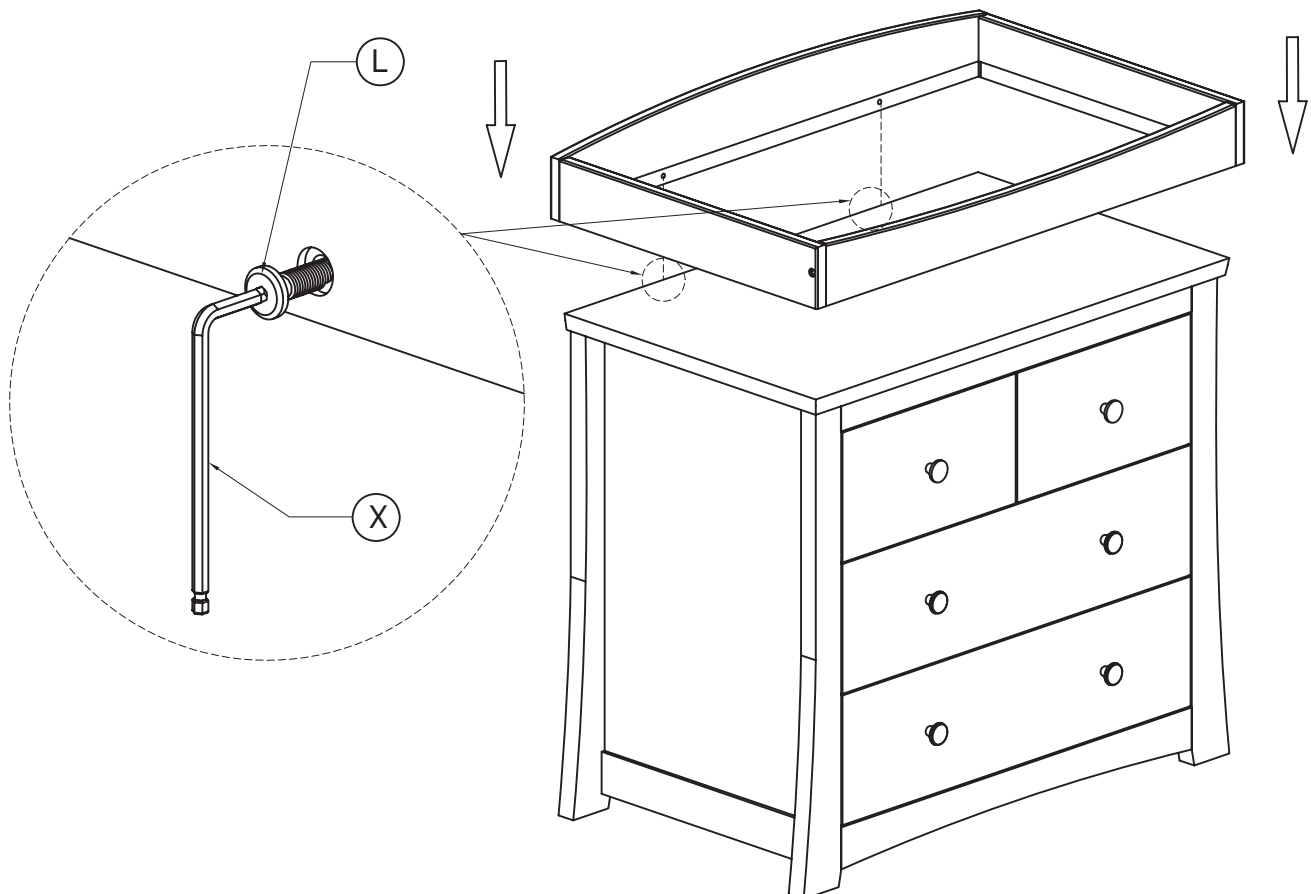
Step 12:



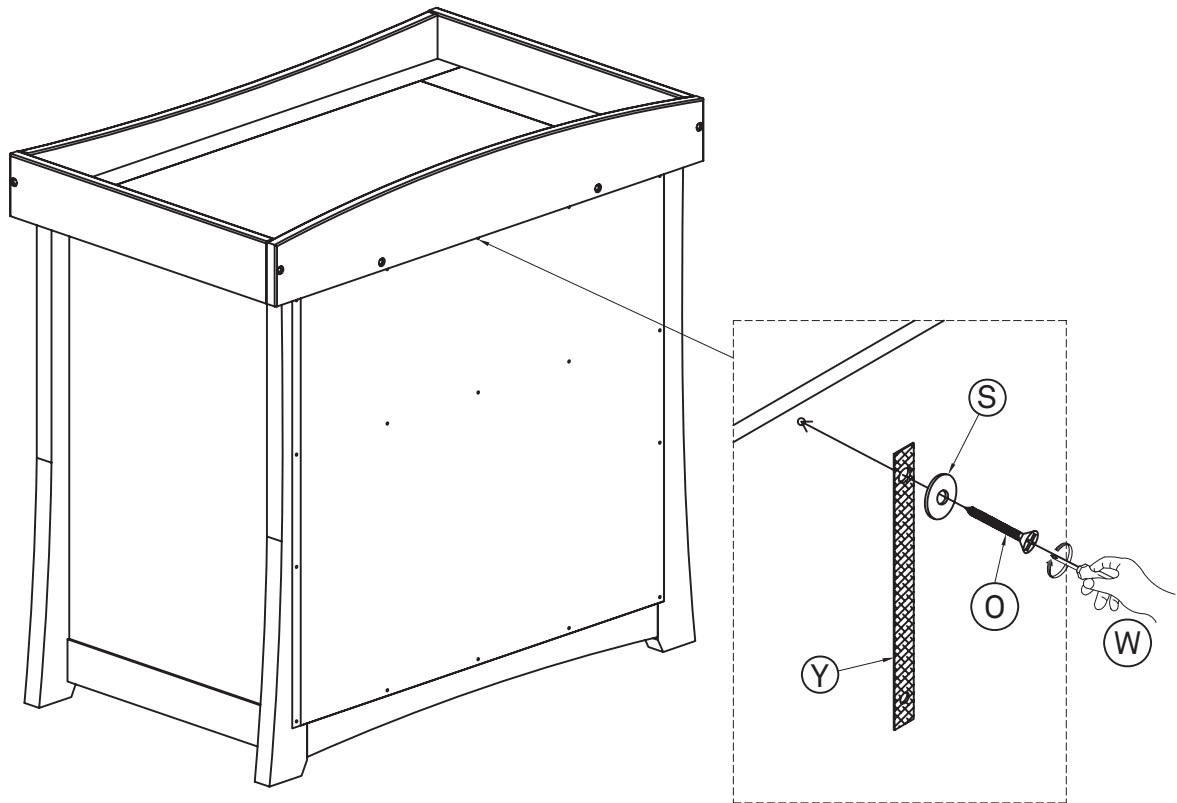
Step 13:



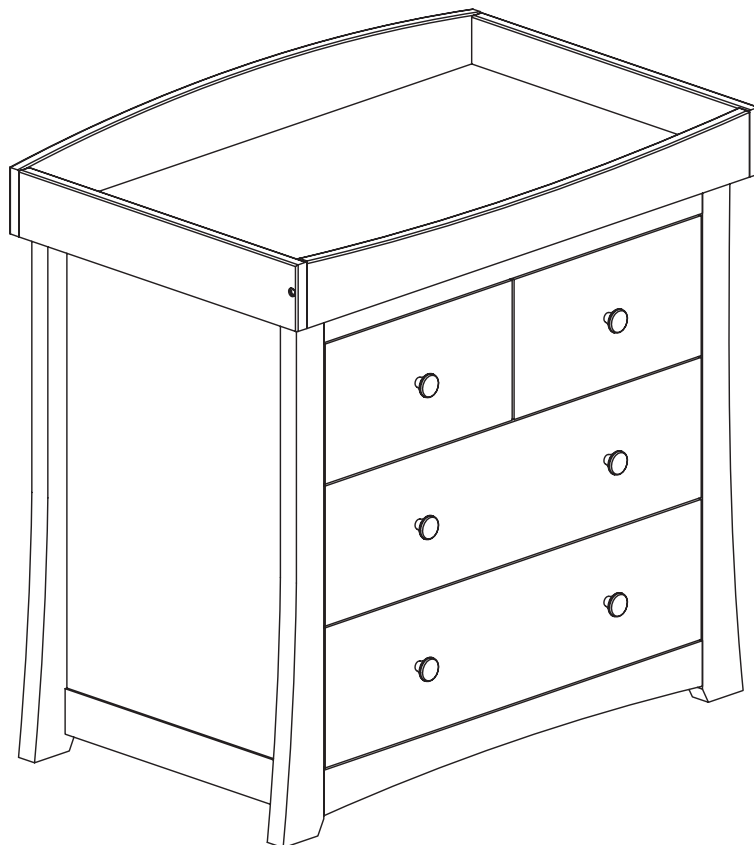
Step 14:



Step 15:



Step 16:



Notes:

Warnings & Instructions For Safe Use & Maintenance

WARNING

NEVER LEAVE YOUR CHILD UNATTENDED.
The safety of your child is your responsibility.

Regularly check all fittings and components of the changer are fully tightened and in good working order. If any parts have become worn or damaged then do not use the product and seek advice from your retailer or Silver Cross. Only use spare parts supplied by Silver Cross.

Be aware of the risk of open fire and other sources of strong heat, such as electric bar fires, gas fires etc. in the near vicinity of the changing unit.

A changing mattress is not supplied with this product. Place the changing mattress on the changing surface inside the retaining rails.

Suitable for children up to 12 months old (approximately). Maximum weight 15kgs.

Never use the changer if any parts are broken or missing.

Never drag or pivot the Dresser Changer. It must be lifted and moved by at least two people.

Before use, ensure the changer is on a level, stable surface.

Do not allow children to climb on the changer.

The changer can be cleaned with a damp cloth. Never use bleach, abrasive or strong detergents. Thoroughly dry immediately after cleaning.

WALL STRAP INFORMATION

Never modify or change the wall strap in any way. Never use any other fittings other than those supplied to attach the wall strap to the dresser.

The wall strap provided is to be used with this product only.

Never use the screw provided to attach the strap to the wall. All walls are of different composition and it is important that the correct wall fittings are used. Consult a professional before attempting to attach the strap to the wall. No wall fittings are supplied with this product.

The wall strap must not be used to replace any other fittings supplied with this piece of furniture.

We recommend the wall strap is used in all cases. To improve the stability of the furniture an even wood or tiled floor is best. A carpeted or warped floor can enable the furniture to rock, increasing the potential of the furniture to fall over.

Silver Cross[®]