

Silver Cross® Ventura Isofix Base

Ventura Plus

Group 0+ - Birth to 13kgs (29lbs) Birth to approximately 9-12 months

Ventura Plus S

Group 0+ - Birth to 13kgs (29lbs) Birth to approximately 9-12 months



**IMPORTANT, RETAIN FOR FUTURE
REFERENCE: READ CAREFULLY**

Please keep with the Ventura Isofix Base



Contents

- 3 Very Important
- 4 Important Safety Guide
- 5 Get to know your Ventura Isofix Base
- 6 Installing the Ventura Isofix Base
- 10 Detaching the Ventura Plus and Ventura Plus S from the Ventura Isofix Base.
- 10 Removing the Ventura Isofix Base from the vehicle
- 12 Looking after the Ventura Isofix Base
- 12 Please read the following safety notes
- 12 Final Check List
- 12 Warranty
- 12 Notice

VERY IMPORTANT



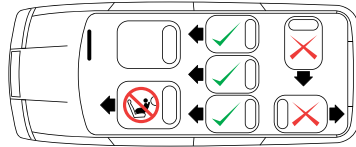
Never use the Ventura Isofix Base on a passenger seat fitted with an airbag.

Please read the whole of this instruction guide carefully. Failure to do so could put your child in danger.

The Ventura Isofix Base can **ONLY** be used with the Ventura Plus and Ventura Plus S Infant Carriers. The base with its adjustable front support leg has been tested and certified according to ECE R44.04 semi-universal approval only in combination with the above seats. This approval will be invalidated if you make any modifications or alterations to the base or infant carrier. Any modifications can only be made by the manufacturer.

POSSIBLE SEATING POSITIONS

as long as the Ventura Isofix Base can be fitted in accordance with the user guide.



In the direction of travel	no
Against the direction of travel	yes

! If the seat has Isofix points the Ventura Isofix Base must **NOT** be installed if there is a front passenger airbag. Please consult with the vehicle handbook to locate the vehicle Isofix points.

! The Ventura Isofix Base: **Not all car seat bases fit all cars.** For advice as to the suitability of this car seat base please consult the **VEHICLE APPLICATION LIST** before you purchase the base and make sure that the make, model and year of your vehicle/s is suitable. If you are in any doubt please contact Silver Cross customer services on 01756 702412.

Important Safety Guide



Never use the Ventura Isofix Base on a passenger seat fitted with an airbag. IT IS VERY DANGEROUS AND IT IS AGAINST THE LAW

Read the whole instruction guide and make sure you fully understand how to install and use the Ventura Isofix Base correctly.

Always keep your instruction manual with the Ventura Isofix Base.



It is very important to make sure that when the child restraint is positioned on the base it is at the correct angle and not too upright so that breathing is not restricted especially with very small and light/premature babies. This could lead to breathing restrictions.

Do not place anything such as a towel or cushion under the Ventura Isofix Base. This could affect the performance of the base in an accident.

Never buy a second hand base.

Always replace a Ventura Isofix Base after an accident. It may have unseen damage.

Always secure the Ventura Isofix Base on the vehicles Isofix points even when left in the vehicle without the child car seat attached.

All occupants in the vehicle must be correctly restrained by law.

Regularly inspect all the restraints in the vehicle.

Do not place any objects in the foot well in front of the Ventura Isofix Base.

Loose objects in the vehicle must be correctly secured when travelling.

Cover the Ventura Isofix Base if it is left in direct sunlight. Plastic and metal surfaces get very hot and could burn.

Do not make unauthorised modifications or alterations to the Ventura Isofix Base.

Do not allow children to play with or adjust the Ventura Isofix Base.

Do not leave children alone in the vehicle.

Do not place the Ventura Isofix Base on a table or work top, always use the floor.

Make sure your Ventura Isofix Base does not become trapped in the door of the vehicle or by a folding vehicle seat.

Make sure that all folding vehicle seats are securely latched.

Do not fit the Ventura Isofix Base on a side or rear facing vehicle seat.

Always store the Ventura Isofix Base in a safe, dry place when it is not being used.

Avoid storing the Ventura Isofix Base near a direct heat source such as a radiator and do not place heavy objects on top of the Ventura Isofix Base.

Statistically the safest place to install the Ventura Isofix Base is in the rear of the vehicle.

If the base is taken out of the vehicle make sure it out of reach of children.

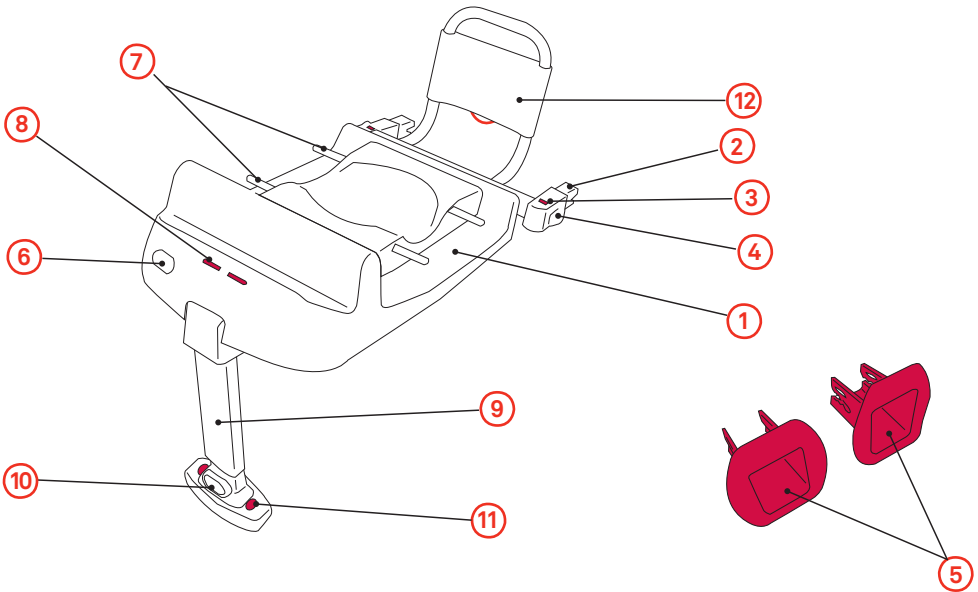
Regularly inspect all types of child restraints for wear & tear and any possible damage.

Remember that you are responsible for your child's safety.

Get to know your Ventura Isofix Base

- 1 Base
- 2 Isofix connectors (2)
- 3 Isofix connection indicators (2)
Red No to Green OK
- 4 Isofix connection release buttons
- 5 Plastic Isofix guides (2)
- 6 Isofix bars (2) extension button
- 7 Seat connection bars (4)
- 8 Seat connection indicators (2)
Red No to Green OK
- 9 Support leg
- 10 Support leg adjuster button
- 11 Support leg pressure indicators(2)
Red No to Green OK
- 12 Support frame

To remove the seat from the base use the chassis release handle on the back of the Ventura Plus and Plus S infant carrier.

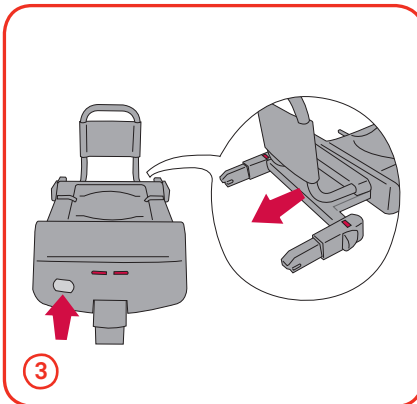
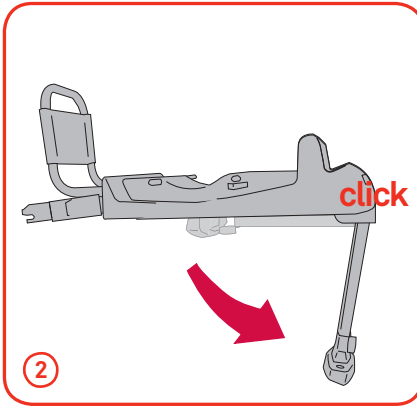
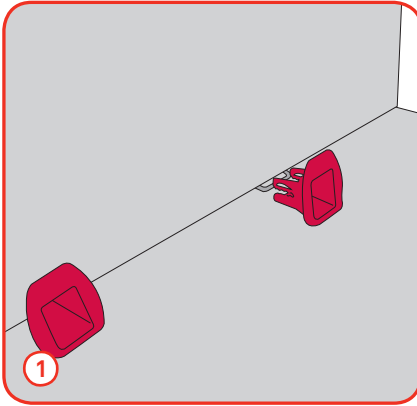


Installing the Ventura Isofix Base

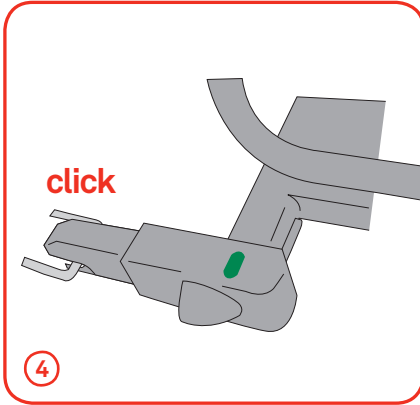
- 1 Make sure that your vehicle has Isofix anchor points and is in the Vehicle Application List supplied with the base. Locate the vehicle Isofix points. If this is a problem consult the Vehicle Manual. They are usually between the vehicle seat base and seat back.

Insert the plastic Isofix guides onto the vehicles Isofix points they can make installation easier and also help with the protection of your vehicle seat.

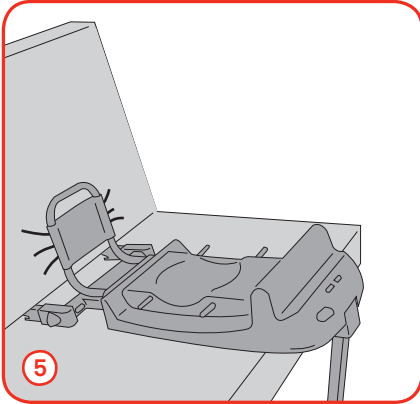
- 2 Release & unfold the front support leg.
- 3 Fully extend the two Isofix arms by pushing the Isofix extension arms release button.



Installing the Ventura Isofix Base (cont.)



- 4 Connect the Isofix arms onto the vehicles Isofix points. Firmly pull the base towards you making sure that both arms are connected and check that both Isofix connection indicators are now showing green.
- 5 Push the Ventura Isofix Base towards the vehicle seat back and make sure that the base now fits firmly on the vehicle seat.



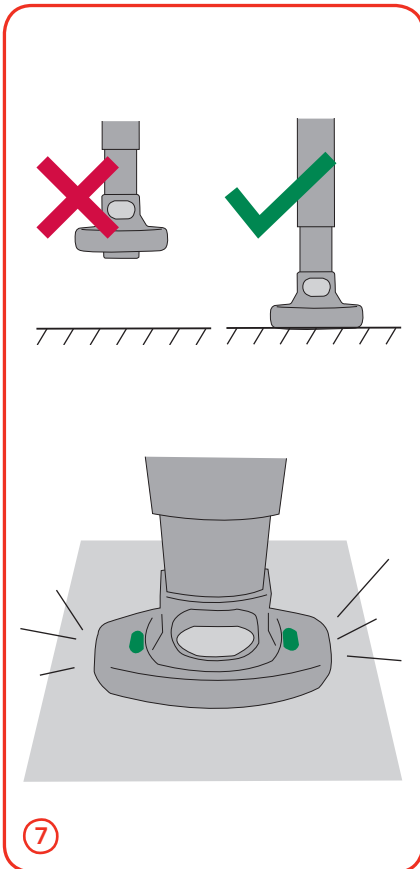
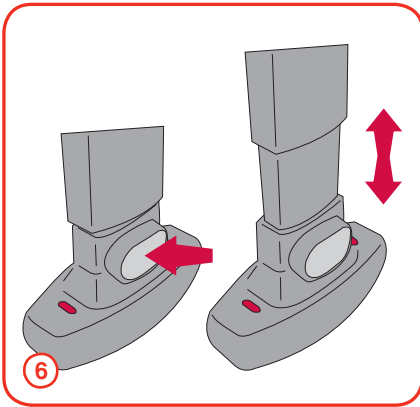
Installing the Ventura Isofix Base (cont.)

- 6 Push the adjustment button and adjust the support leg so that it makes a full and firm contact with the vehicle chassis.

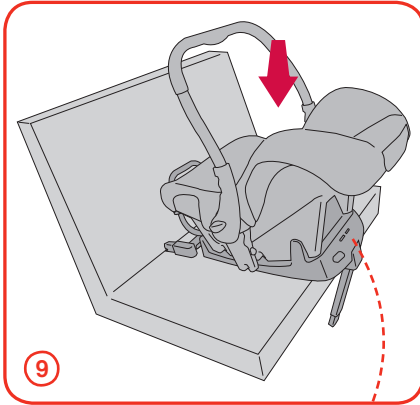
⚠ Never place the front support leg of the Ventura Isofix Base on a floor storage compartment. The front support leg must be in full and firm contact with the vehicle floor

- 7 Make sure that the support leg does not raise the base from the surface of the vehicle seat.

Make sure that it is correctly adjusted and firmly in position against the vehicles chassis.



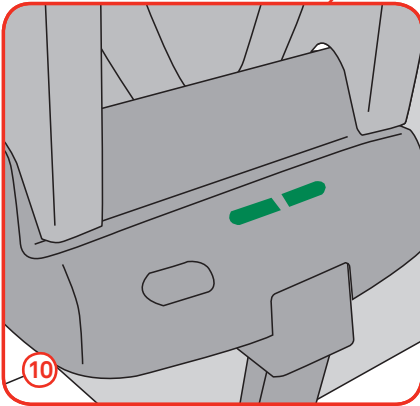
Installing the Ventura Isofix Base (cont.)



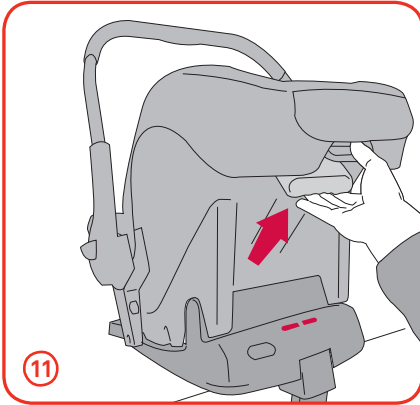
- 9 Lower the Ventura Plus or the Ventura Plus S Infant Carrier on to the Ventura Isofix Base and make sure that all 4 connection bars engage firmly and click into position on the base connection points.

Make sure the carry handle is in the upright carrying position and that it 'clicks' into place.

- 10 Lift the infant carrier to make sure the connections have engaged correctly and make sure that the seat connection indicators have turned from red to green.



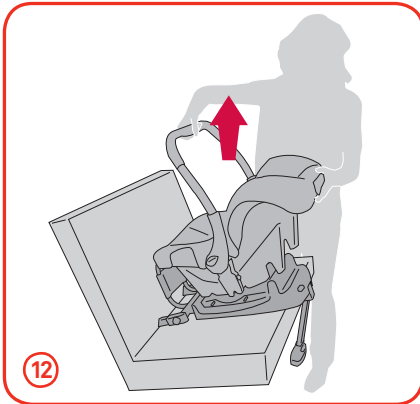
Detaching the Ventura Plus and Ventura Plus S from the Ventura Isofix Base



- 11 Pull up the chassis release handle on the back of the infant carrier. The two indicators on the front of the Ventura Isofix Base will turn from green to red to indicate that the infant carrier has been detached from the base correctly
- 12 Lift the infant carrier from the Ventura Isofix Base

Removing the Ventura Isofix Base from the vehicle

Only remove the base from the vehicle when the infant carrier is not attached



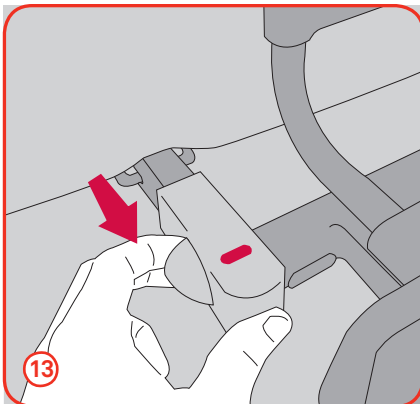
- 13 Disconnect the Isofix connector arms by pulling the buttons on both sides of the Isofix arms. A red line will appear on each connector arm when disconnected correctly. Adjust the support leg to its shortest length.

Fasten the support leg to the underside of the Ventura Isofix Base at the connection point.

Carefully remove from your vehicle.

The Ventura Isofix Base can be left installed in your vehicle and remove only the infant carrier.

⚠ WARNING: Child car seats can mark vehicle seat upholstery and seat belts, Silver Cross cannot be held responsible for damage or marking to vehicle seats and seat belts.



Looking after the Ventura Isofix Base

Wipe clean using a mild hand soap and warm water. You must not use detergents, solvents or strong soaps. This may weaken the base shell. You must not remove, dismantle or alter any part of the base. You must not oil or lubricate any part of the base.

Please read the following safety notes

The Silver Cross Ventura Plus & the Ventura Plus S are the ONLY SEATS that are compatible with the Silver Cross Ventura Isofix Base.

Never use the Ventura Isofix Base on a passenger seat fitted with an airbag. It is very dangerous and it is illegal.

Final check list

Check

- 1 You have not fitted the Ventura Isofix Base on a passenger seat fitted with an airbag.
- 2 The Silver Cross Infant Carrier is positioned on the base at the correct angle.
- 3 The Ventura Isofix Base is correctly fitted with no excessive movement forward or to the side.

Warranty

This Silver Cross product is guaranteed for a period of twelve months against faulty workmanship.

Silver Cross[®]

Silver Cross (UK) Ltd,
Micklethorn,
Broughton,
Skipton,
North Yorkshire BD23 3JA
United Kingdom
www.silvercross.co.uk
Tel: 01756 702412

Notice

- 1 The category of this child restraint is “SEMI-UNIVERSAL” and it is suitable for installation in the vehicles and in the seat positions indicated in the vehicle application list inside this packaging.
- 2 Other vehicles and seat positions may also be suitable for this restraint system.
- 3 If in doubt, consult the manufacturer or retailer.

Notice

- 1 This is an Isofix system for children. Approved under Regulation Number 44, Supplement 5, 04 series of amendments, for general use in vehicles equipped with an Isofix fastening system.
- 2 It can be fitted in vehicles with positions approved as “Isofix positions” (as listed in the vehicle manual), depending on the category of child seat and the fastening systems.
- 3 The mechanism has been designed for an Isofix size class and weight group of: 0 – 13kg and Class E

SEMI
UNIVERSAL
<0–13kg



04 44 4109

