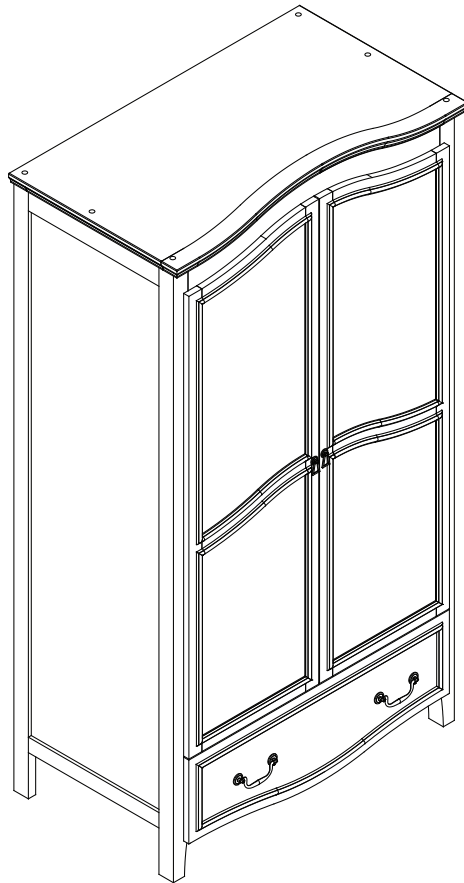


EST.  
1877

# Windsor Wardrobe



*Silver Cross*<sup>®</sup>

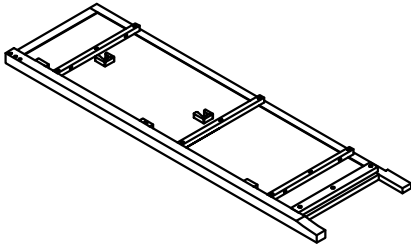
THE BEST START IN LIFE

---

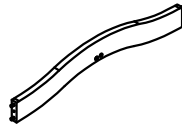
**👤👤 IMPORTANT: THE ASSEMBLY OF THIS  
PRODUCT REQUIRES TWO PEOPLE**

**IMPORTANT: KEEP THESE INSTRUCTIONS  
FOR FUTURE REFERENCE**

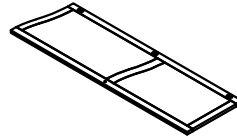
## Parts List :



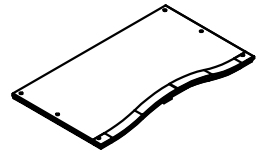
A = 2pcs (L&R)



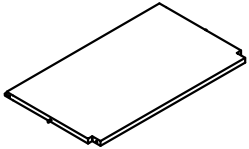
B = 1pc



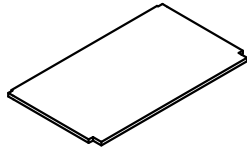
C = 2pcs (L&R)



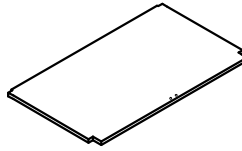
D = 1pc



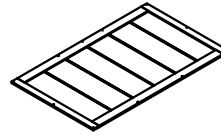
E = 1pc



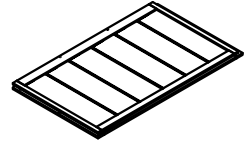
P = 1pc



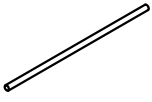
P1 = 1pc



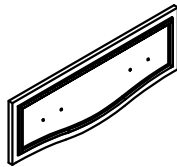
S = 1pc



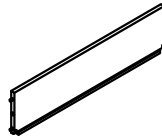
S1 = 2pcs



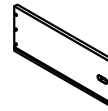
Y = 2pc



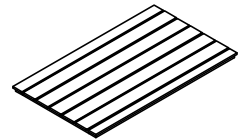
N = 1pc



N1 = 1pc



N2 = 2pcs



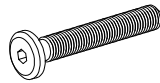
N3 = 1pc

## Fittings List :

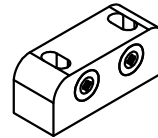
Retain all extra fittings for conversion into day and toddler bed



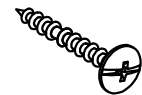
F (M6x35) = 16pcs



F1 (M6x50) = 8pcs

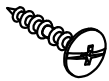


U = 1pc



V (M4x25) = 2pcs

1 PVC



M (M4x20) = 22pcs



M1 (3.5x15) = 36pcs



M2 (M4x15) = 4pcs

1 PVC



K (M4x18) = 6pcs



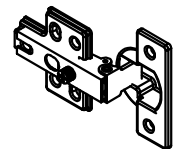
I = 8pcs



J = 2pcs



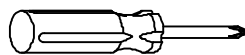
J1 = 2pcs



T = 6pcs



L = 1pc



W = 1pc



O(M4X20) = 1pc



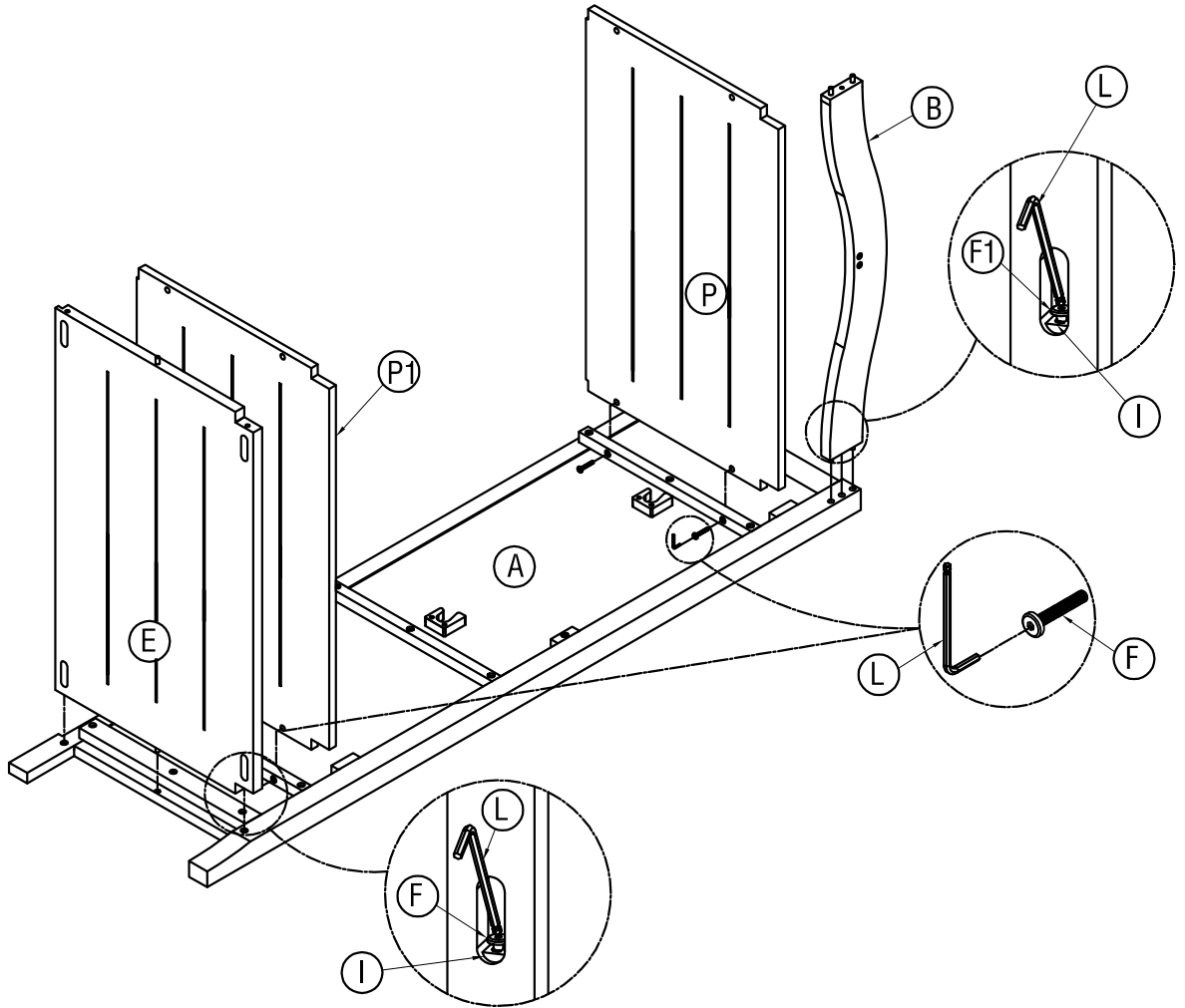
P = 1pc



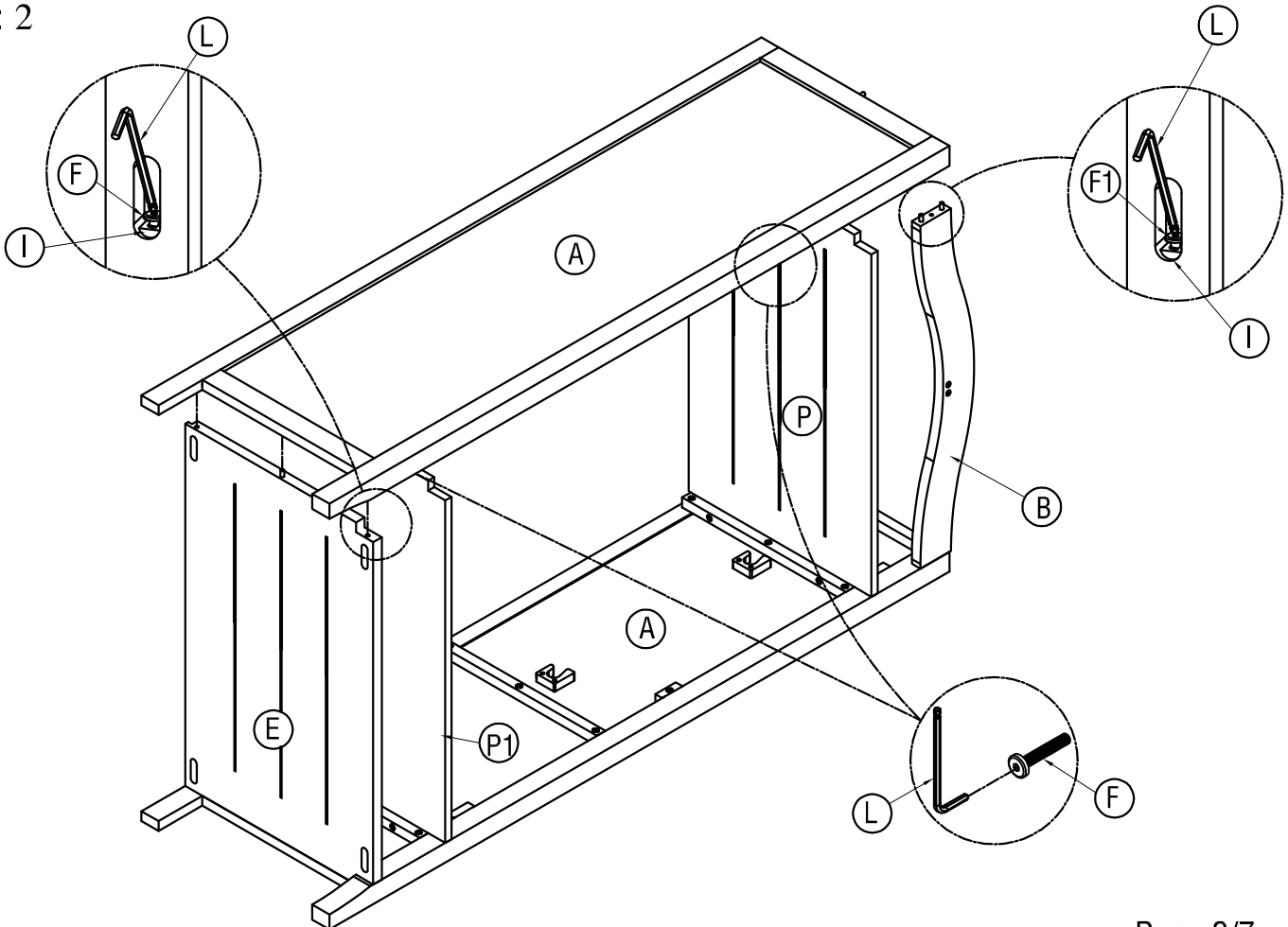
Q = 1pc

1 x PVC Bag

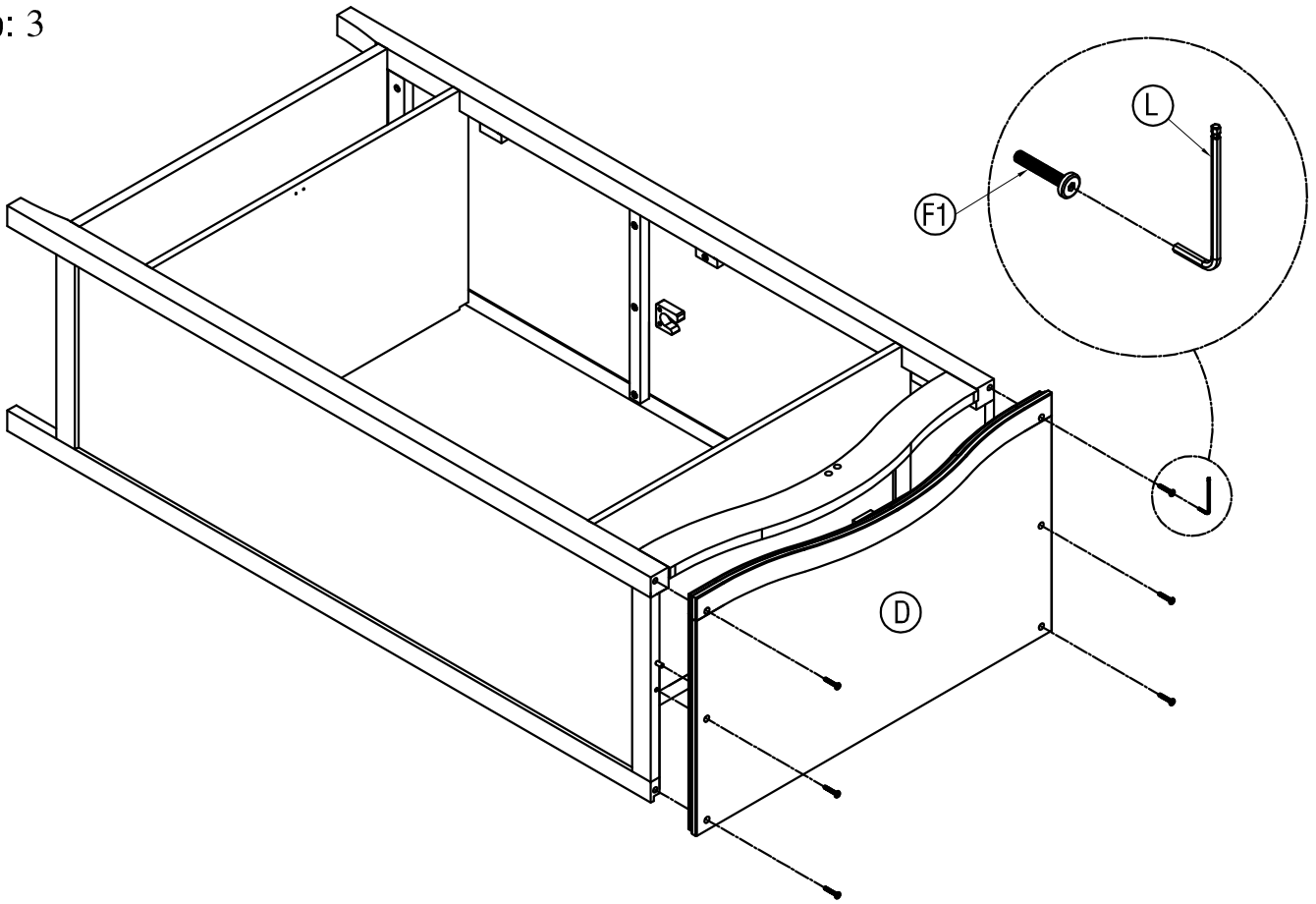
Step: 1



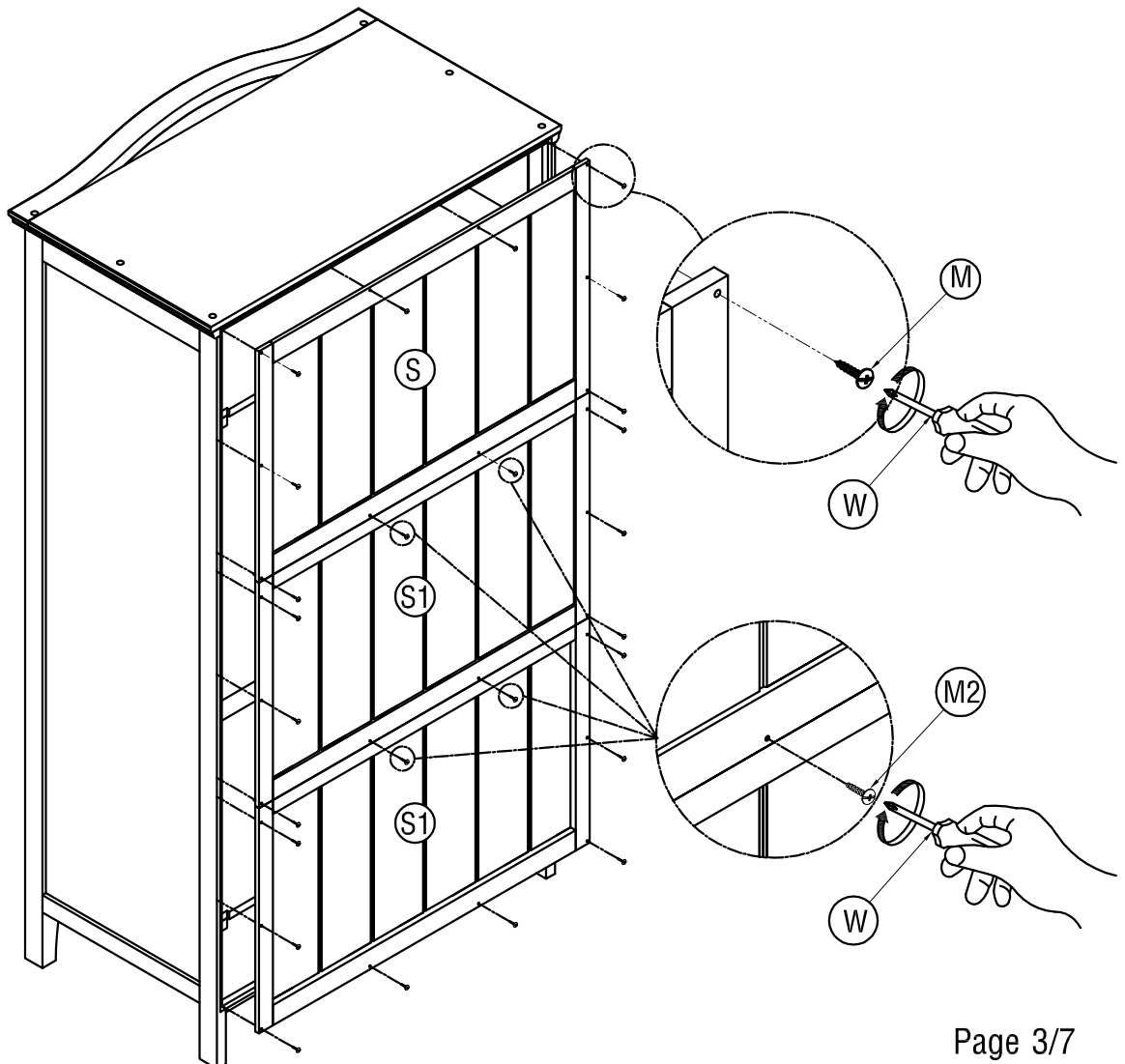
Step: 2



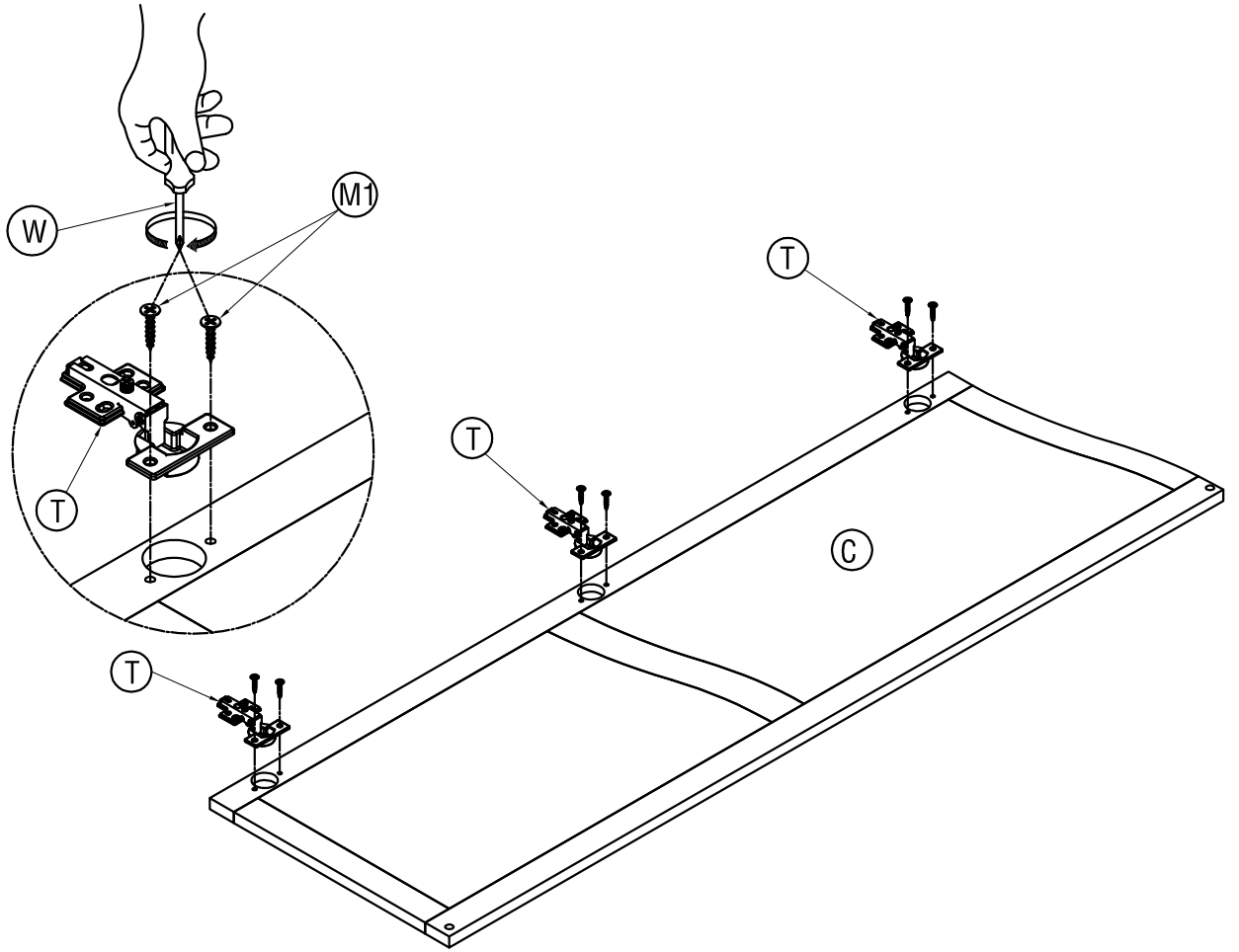
Step: 3



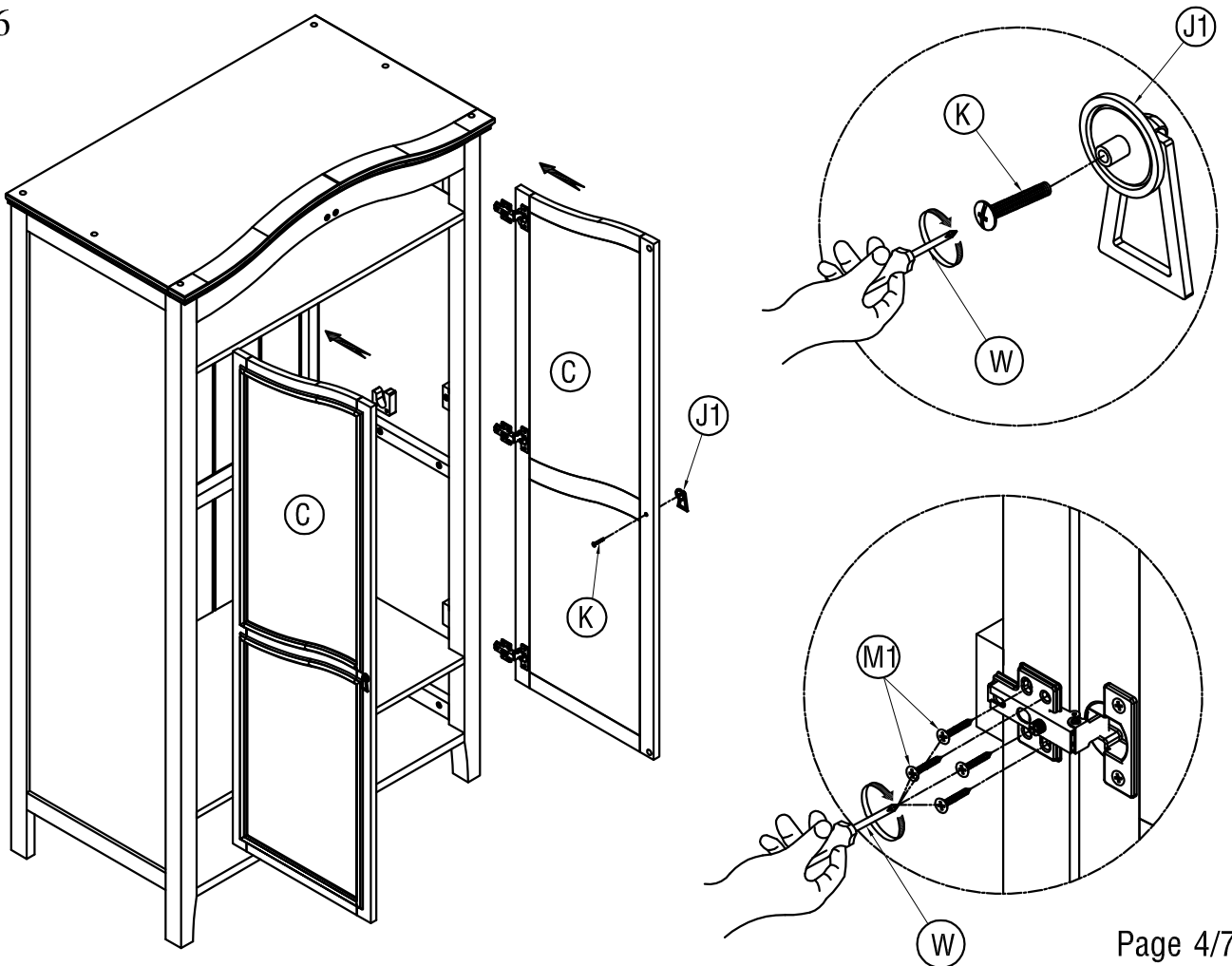
Step: 4



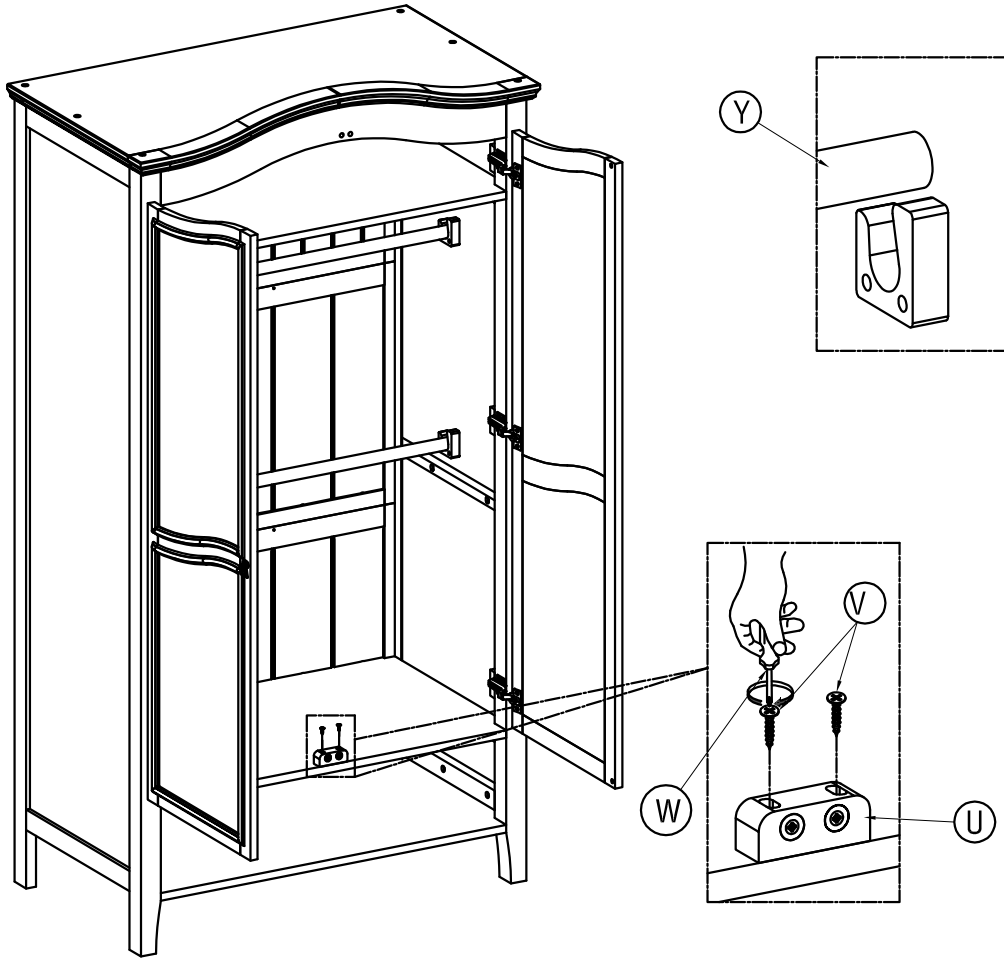
Step: 5



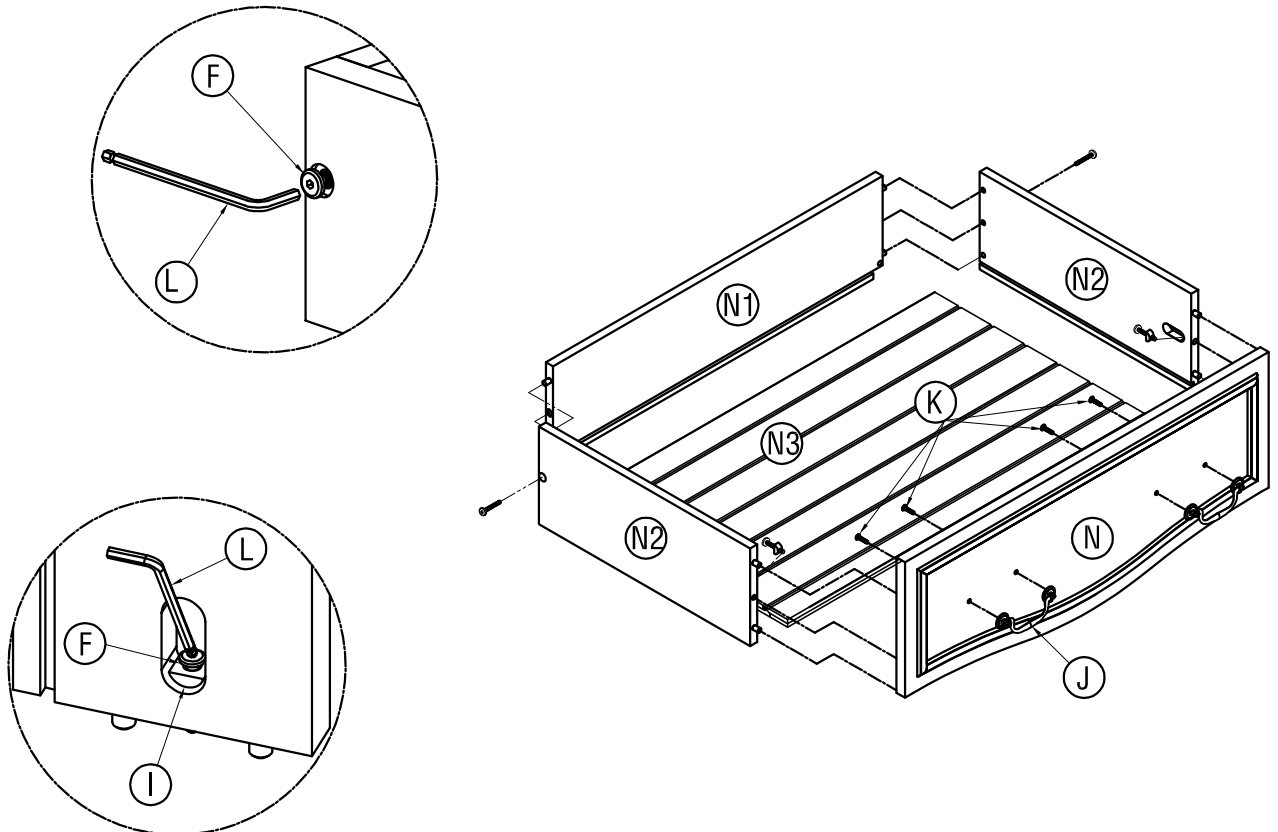
Step: 6



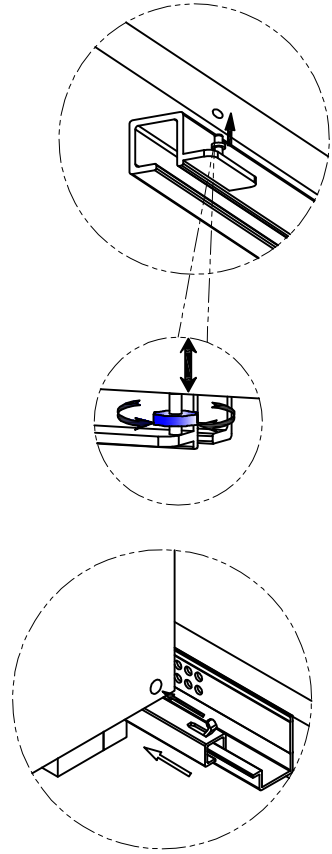
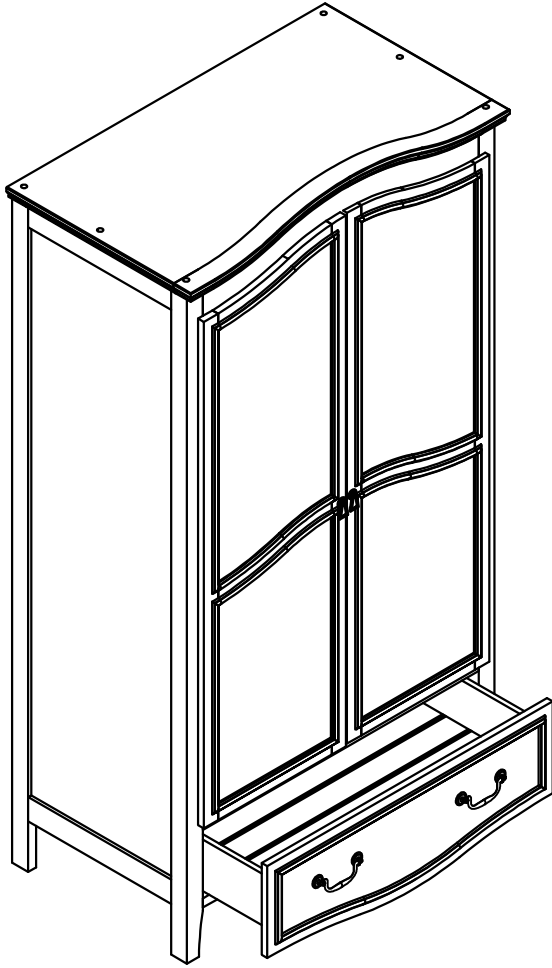
Step: 7



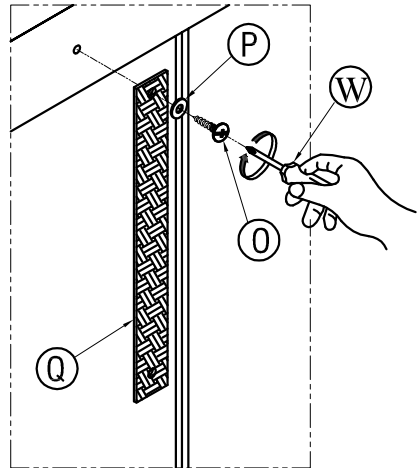
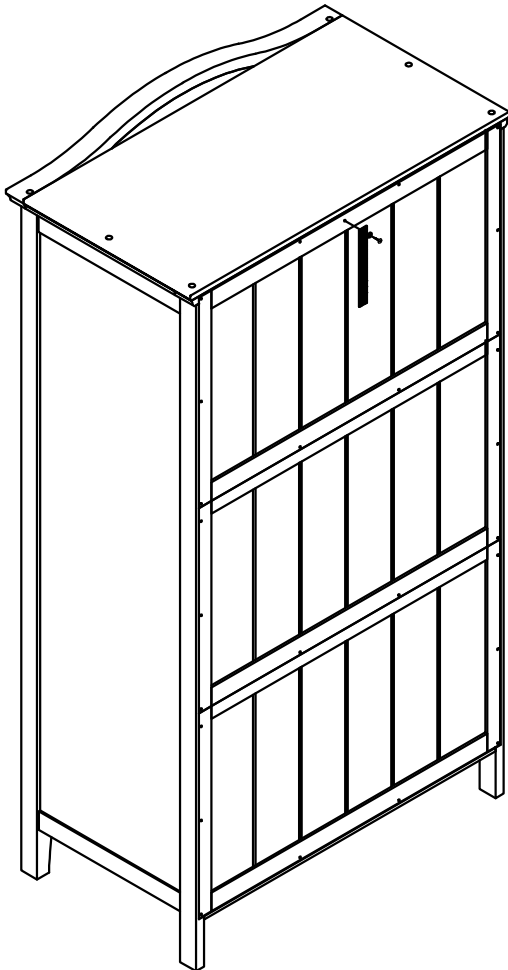
Step: 8



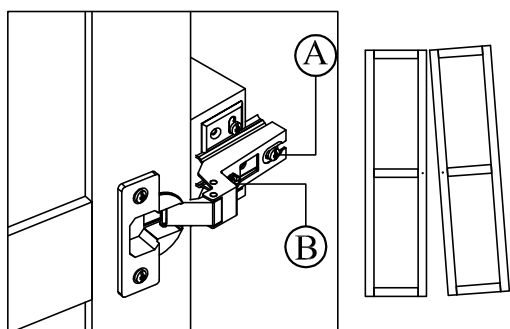
Step: 9



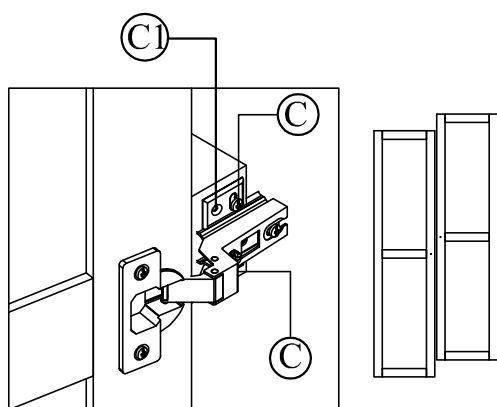
Step: 10



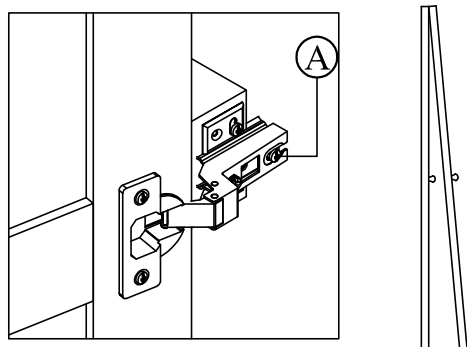
## Hinge Adjustment



**ADJUSTING THE GAP BETWEEN THE DOORS**  
Loosen screw "A", turn screw "B" clockwise or anti-clockwise until the gap between doors is equal then tighten screw "A".



**ADJUSTING THE HEIGHT OF THE DOORS**  
Unscrew "C1", loosen screws "C" then slide the hinge plate up or down until the doors are even, then tighten the screws and rescrew "C1". NOTE: The remaining two screws must be removed prior to adjustment.



**ADJUSTING THE ANGLE OF THE DOOR**  
Loosen screw "A" and slide the hinge arm either forwards or backwards until the door is even vertical then tighten screw "A".



# Warnings & Instructions For Safe Use & Maintenance

## **WARNING**

**NEVER LEAVE YOUR CHILD UNATTENDED.**

**The safety of your child is your responsibility.**

Regularly check all fittings and components are fully tightened and in good working order. If any parts have become worn or damaged then do not use the product and seek advice from your retailer or Silver Cross. Only use spare parts supplied by Silver Cross.

Be aware of the risk of open fire and other sources of strong heat, such as electric bar fires, gas fires etc. in the near vicinity of the wardrobe.

Never use the wardrobe if any parts are broken or missing.

Never drag or pivot the wardrobe. It must be lifted and moved by at least two people.

Before use, ensure the wardrobe is on a level, stable surface.

Do not allow children to climb on the wardrobe.

The wardrobe can be cleaned with a damp cloth. Never use bleach, abrasive or strong detergents. Thoroughly dry immediately after cleaning.

## **WALL STRAP INFORMATION**

Never modify or change the wall strap in any way. Never use any other fittings other than those supplied to attach the wall strap to the wardrobe.

The wall strap provided is to be used with this product only.

Never use the screw provided to attach the strap to the wall. All walls are of different composition and it is important that the correct wall fittings are used. Consult a professional before attempting to attach the strap to the wall. No wall fittings are supplied with this product.

The wall strap must not be used to replace any other fittings supplied with this piece of furniture.

We recommend the wall strap is used in all cases. To improve the stability of the furniture an even wood or tiled floor is best. A carpeted or warped floor can enable the furniture to rock, increasing the potential of the furniture to fall over.

*Silver Cross*<sup>®</sup>